

# TI78-30 NiMH Battery Assembly

The Tesla™ TI78-30 NiMH Battery Assembly is designed to replace the original emergency backup battery for the Pioneer UAV, as well as other UAVs. The TI78-30 provides reliable, maintenance-free power. Plus, Tesla™ stands behind the TI78-30 with a three-year warranty, a trained military support team, and an experienced staff of customer service professionals.

## Features:

- Maintenance-free design
- 5 to 7-year service life with a 3-year warranty
- Rugged ABS housing and cable assembly
- Direct replacement for UAV backup batteries
- Standard MIL-C-26482 Circular Connector
- Manufactured in-house
- Exceeds MIL-STD-810G



Power Anytime, Anywhere



Tesla™ Industries, Inc.

[www.teslaind.com](http://www.teslaind.com)

Email: [tesla1@teslaind.com](mailto:tesla1@teslaind.com)

**Headquarters:** (302) 324-8910

109 Centerpoint Blvd. New Castle, DE 19720 USA

**Western Regional Office:** (775) 622-8801

9475 Double R Blvd. Suite 2, Reno, NV 89521 USA

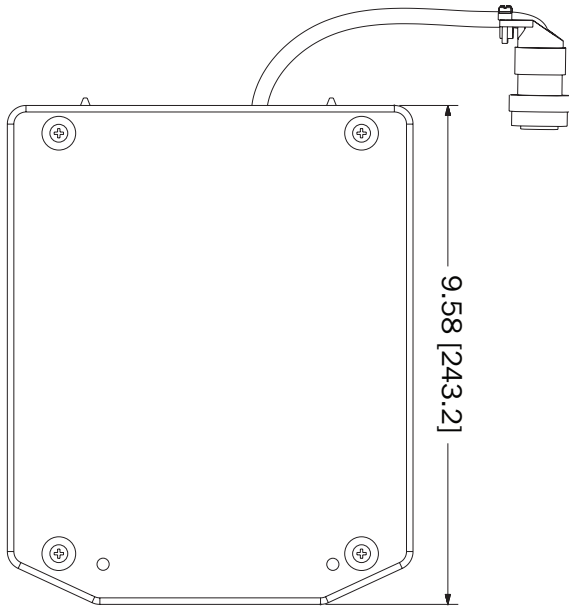


The **POWER**  
of  
**RED**™

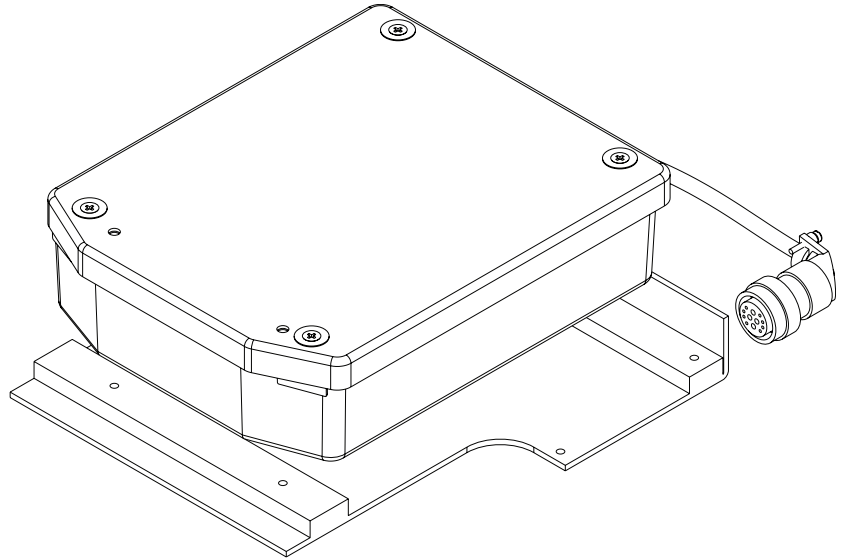


# Dimensions and Technical Specifications

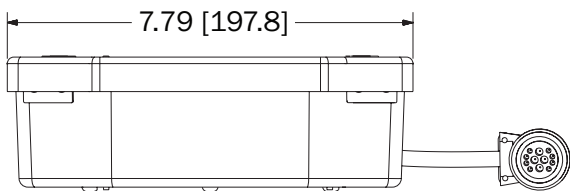
\* All dimensions are in inches [millimeters]



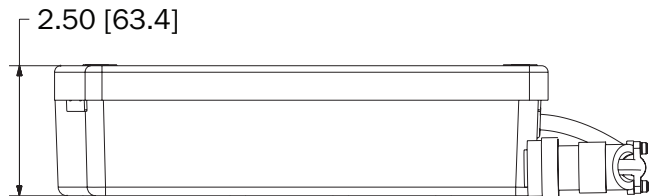
Top View



TI78-30 shown with mount



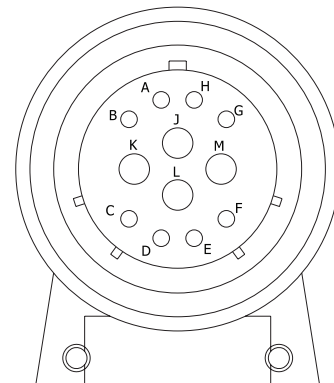
Front View



Side View

## Technical Specifications:

Storage Temperature	-65 °C - +60 °C (-85 °F - 140 °F)
Operating Temperature	-40 °C - +60 °C (-40 °F - 140 °F)
Rated Current	8.25 amp hours
Normal Voltage	28.8 V
Shock	12 G
Vibration	Exceeds MIL-STD-810G
Weight	11 lbs (4.98 kg)
Warranty	3 years



Standard MIL-C-26482  
Circular Connector