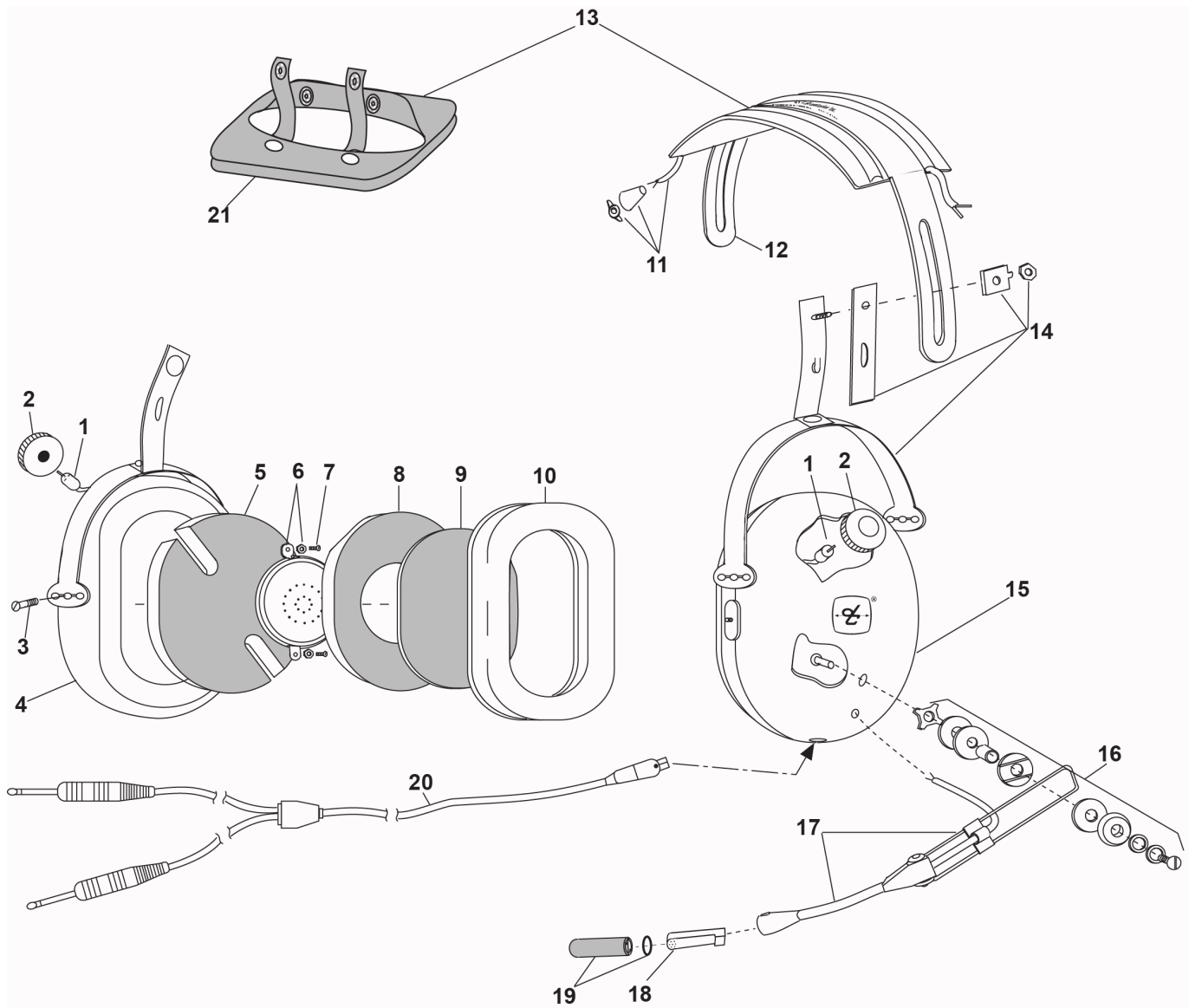


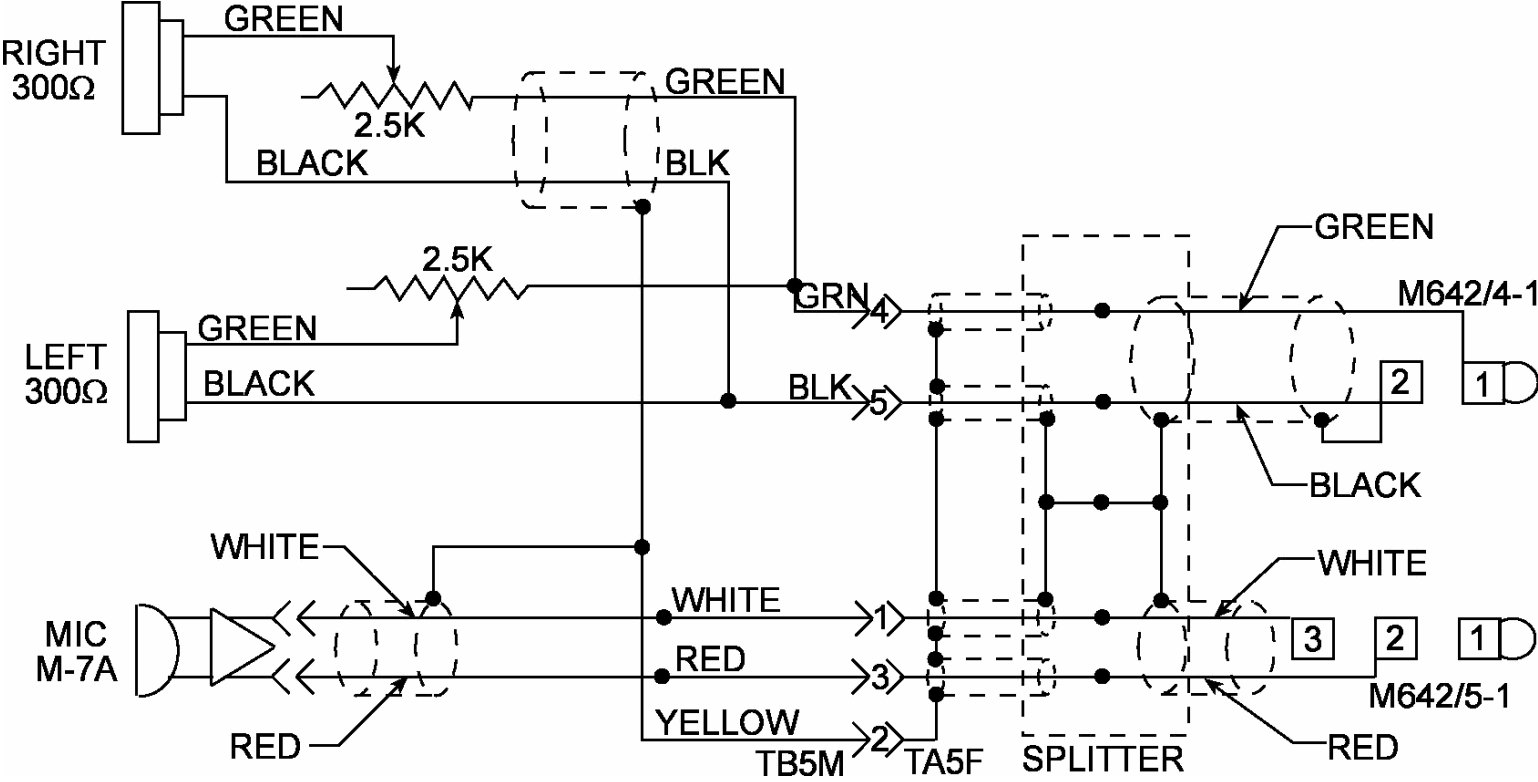
**PARTS LIST**  
**MODEL H10-60**

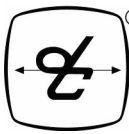


No.	Description	Part No.
1	Volume Control	09349P-43
2	Volume Control Knob	15109P-01
3	Screw, Shoulder (10/pk)	18900G-21
4	Right Dome	15140P-02
5	Dome Filter (1 each)	26475P-02
6	Earphone Assembly	10376G-20
7	Screw (10/pk)	13180P-06
8	Filter (1 each)	25629P-03
9	Filter (1 each)	14096P-09
10	Undercut Gel Earseal (pair)	40863G-02
11	Overhead Cord Kit	22607G-06

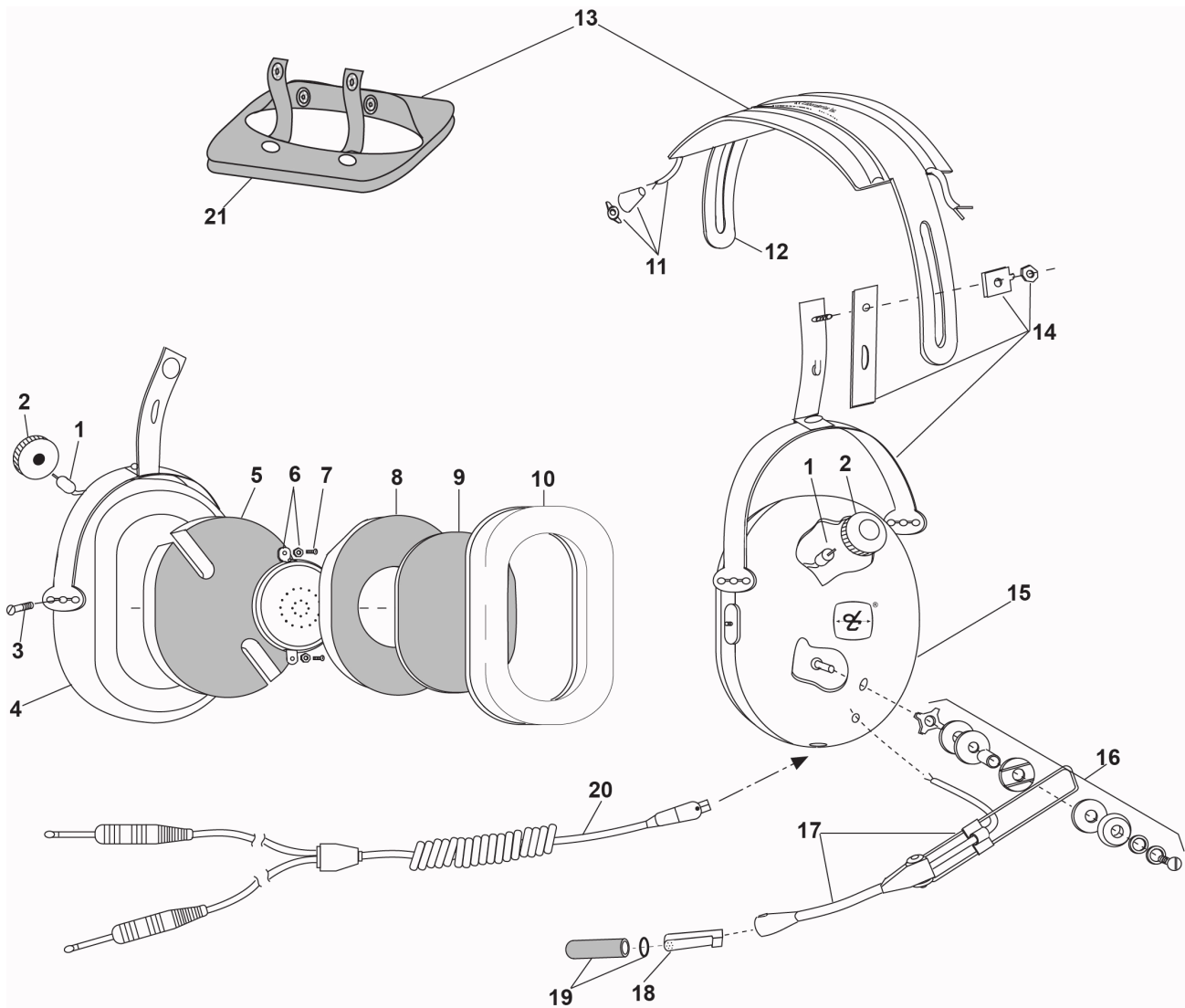
No.	Description	Part No.
12	Headband Spring	15093P-01
13	Headpad Assembly	18900G-45
14	Stirrup & Clamp Kit	22378G-10
15	Left Dome	15140P-01
16	Boom Attachment Kit	12840G-09
17	Mic Boom & Cord Assy	18740G-05
18	M-7A Electret Mic	09168P-33
19	Mic Protector	40062G-02
20	Comm Cord Assy	40133G-04
21	Headpad Restraint, Foam	40266G-01

ELECTRICAL SCHEMATIC  
MODEL H10-60





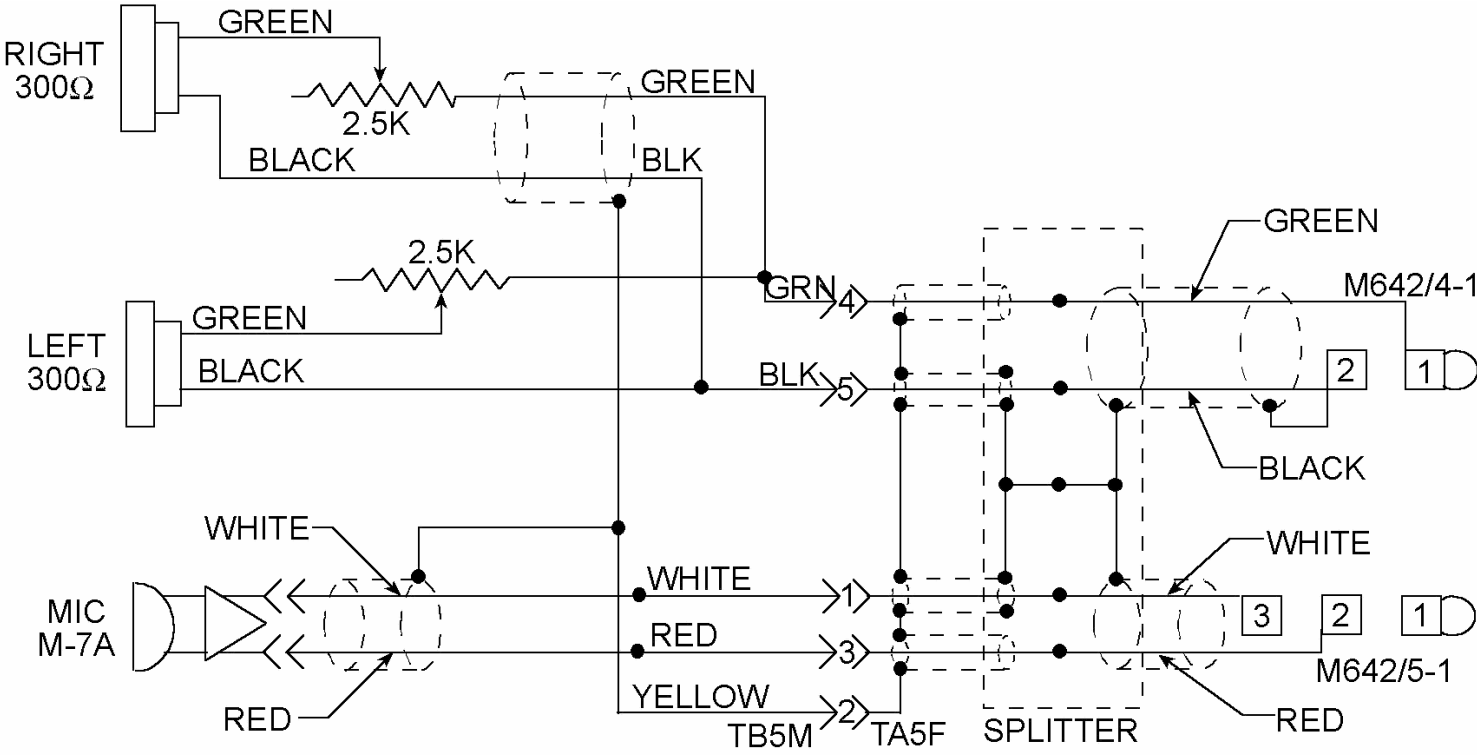
**PARTS LIST**  
**MODEL H10-60C**

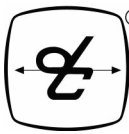


No.	Description	Part No.
1	Volume Control	09349P-43
2	Volume Control Knob	15109P-01
3	Screw, Shoulder (10/pk)	18900G-21
4	Right Dome	15140P-02
5	Dome Filter (1 each)	26475P-02
6	Earphone Assembly	10376G-20
7	Screw (10/pk)	13180P-06
8	Filter (1 each)	25629P-03
9	Filter (1 each)	14096P-09
10	Undercut Gel Earseal (pair)	40863G-02
11	Overhead Cord Kit	22607G-06

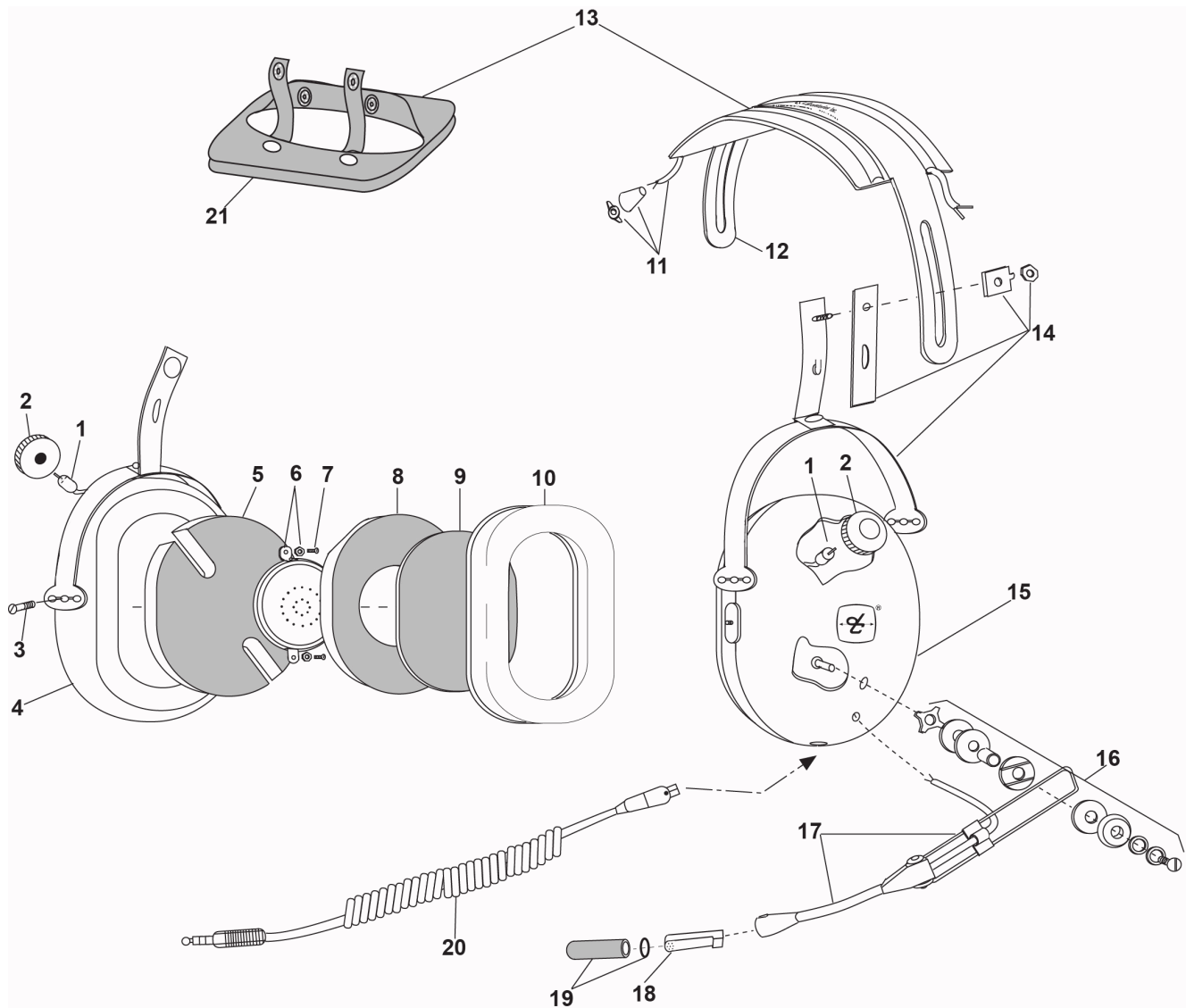
No.	Description	Part No.
12	Headband Spring	15093P-01
13	Headpad Assembly	18900G-45
14	Stirrup & Clamp Kit	22378G-10
15	Left Dome	15140P-01
16	Boom Attachment Kit	12840G-09
17	Mic Boom & Cord Assy	18740G-05
18	M-7A Electret Mic	09168P-33
19	Mic Protector	40062G-02
20	Comm Cord	40133G-05
21	Headpad Restraint, Foam	40266G-01

# ELECTRICAL SCHEMATIC MODEL H10-60C





**PARTS LIST**  
**MODEL H10-60H**



No.	Description	Part No.
1	Volume Control	09349P-43
2	Volume Control Knob	15109P-01
3	Screw, Shoulder (10/pk)	18900G-21
4	Right Dome	15140P-02
5	Dome Filter (1 each)	26475P-02
6	Earphone Assembly	10376G-20
7	Screw (10/pk)	13180P-06
8	Filter (1 each)	25629P-03
9	Filter (1 each)	14096P-09
10	Undercut Gel Earseal (pair)	40863G-02
11	Overhead Cord Kit	22607G-06

No.	Description	Part No.
12	Headband Spring	15093P-01
13	Headpad Assembly	18900G-45
14	Stirrup & Clamp Kit	22378G-10
15	Left Dome	15140P-01
16	Boom Attachment Kit	12840G-09
17	Mic Boom & Cord Assy	18740G-05
18	M-7A Electret Mic	09168P-33
19	Mic Protector	40062G-02
20	Comm Cord	40133G-06
21	Headpad Restraint, Foam	40266G-01

# ELECTRICAL SCHEMATIC MODEL H10-60H

