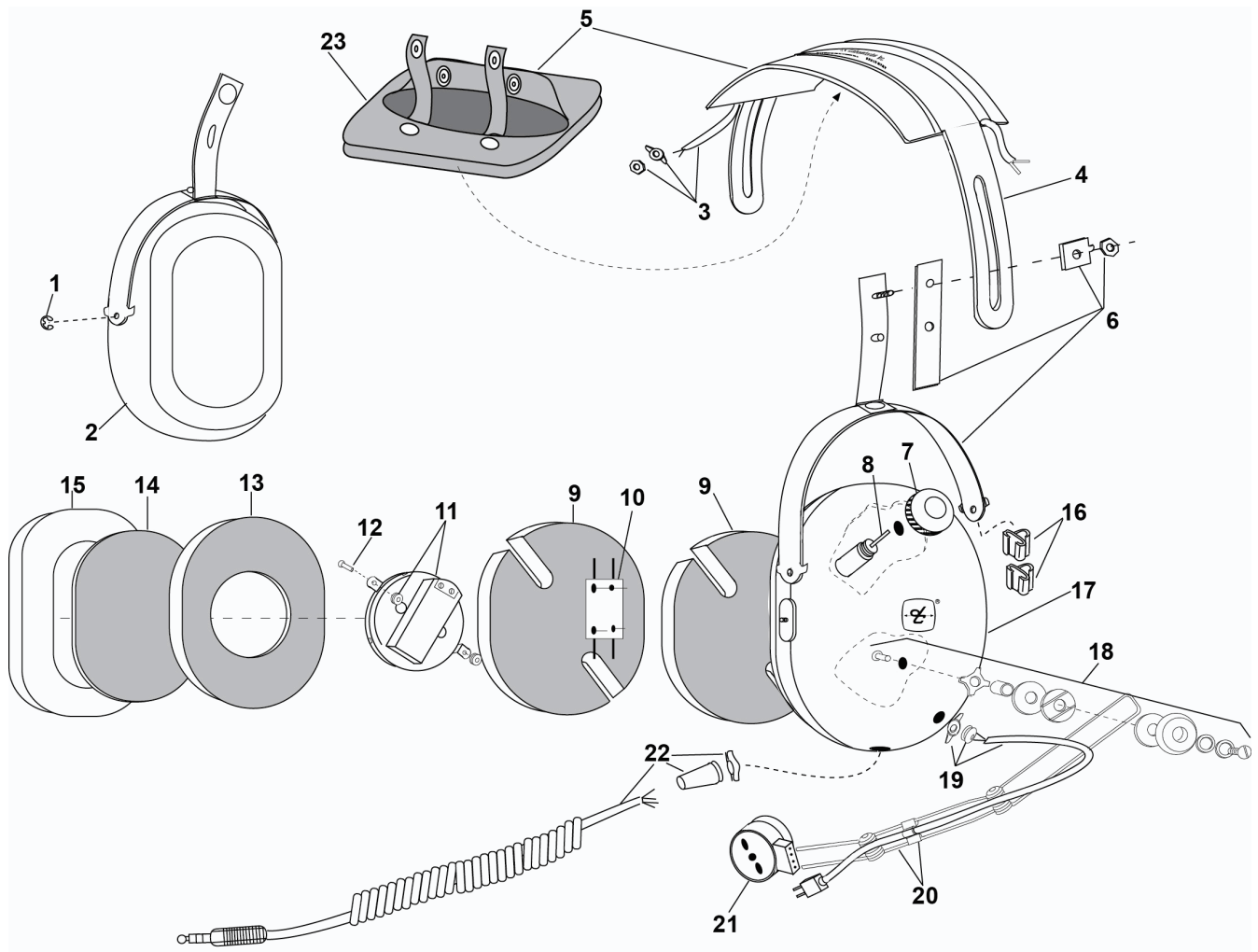


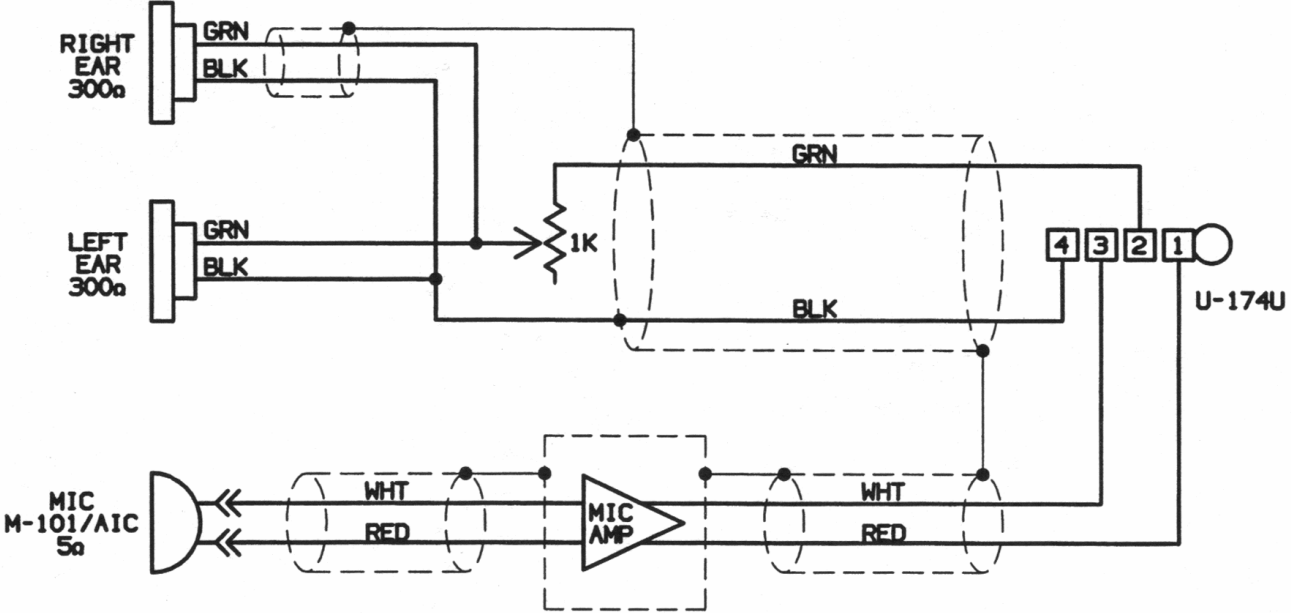
PARTS LIST
MODEL H10-56

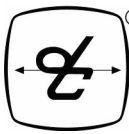


No.	Description	Part No.
1	Retaining Ring (10/pk)	00009M-03
2	Right Dome	11353P-29
3	Overhead Cord Kit	22607G-01
4	Headband Spring	15093P-01
5	Headpad Assembly	18900G-45
6	Stirrup & Clamp Kit	22378G-08
7	Volume Control Knob	15109P-01
8	Volume Control	09349P-34
9	Dome Filter (1 each)	26475P-02
10	Amplifier, Mic, Assy	41087G-01
11	Earphone Assembly	10376G-20
12	Screw (10/pk)	13180P-06

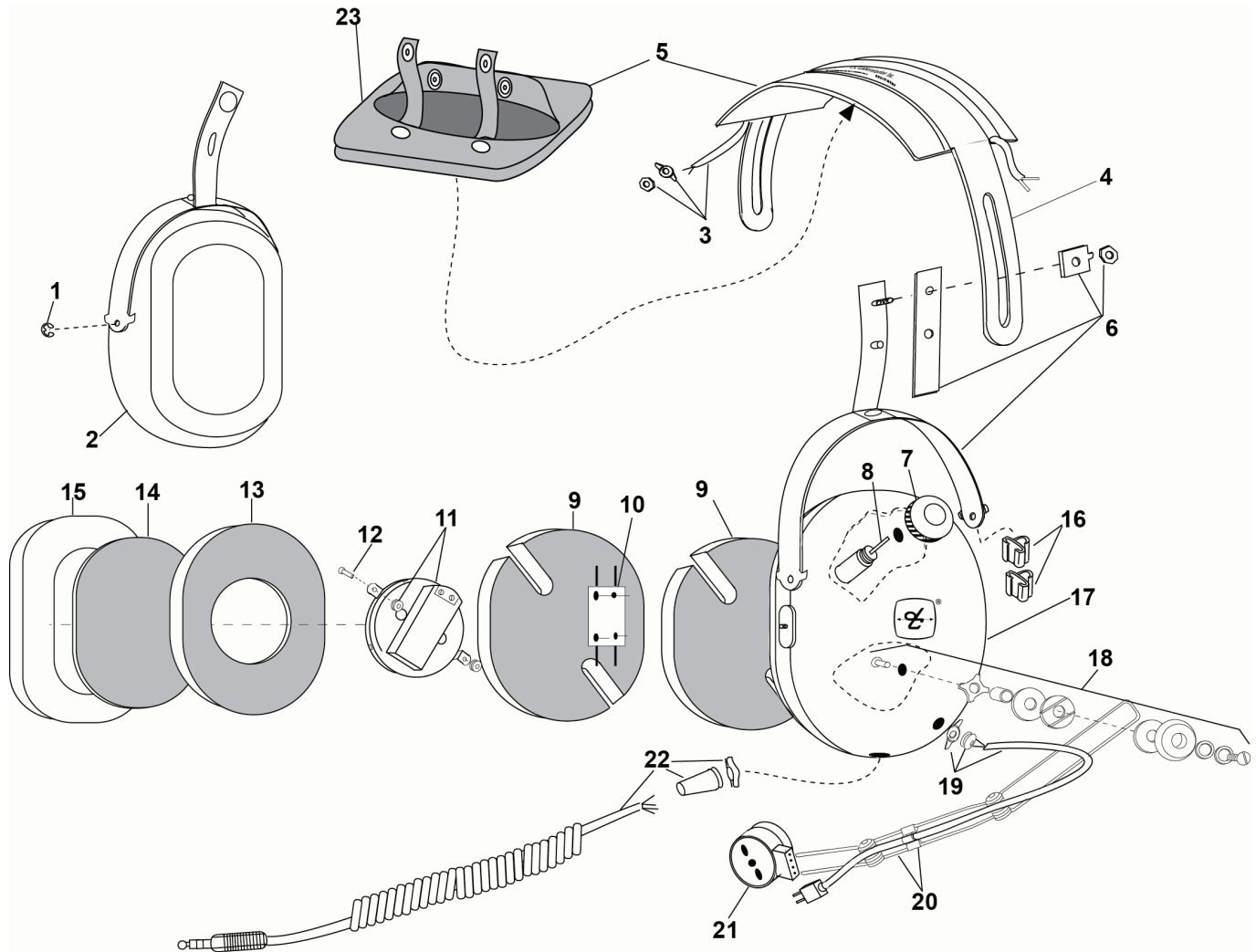
No.	Description	Part No.
13	Filter (1 each)	25629P-03
14	Filter (1 each)	14096P-09
15	Undercut Gel Earseal (pair)	40863G-02
16	Clip, Cord (4/pk)	15125P-02
17	Left Dome	11353P-28
18	Boom Guide Kit	12840G-01
19	Mic Plug Cord Kit	18804G-11
20	Mic Boom Assembly	12762G-04
21	Microphone M-101/AIC	09168P-20
22	Comm Cord Kit	18028G-52
23	Headpad Restraint, Foam	40266G-01

ELECTRICAL SCHEMATIC
MODEL H10-56





PARTS LIST
MODEL H10-56N



No.	Description	Part No.
1	Retaining Ring (10/pk)	00009M-03
2	Right Dome	11353P-29
3	Overhead Cord Kit	22607G-01
4	Headband Spring	15093P-01
5	Headpad Assembly	18900G-45
6	Stirrup & Clamp Kit	22378G-08
7	Volume Control Knob	15109P-01
8	Volume Control	09349P-34
9	Dome Filter (1 each)	26475P-02
10	Amplifier, Mic, Assy	41087G-01
11	Earphone Assembly	10376G-20
12	Screw (10/pk)	13180P-06

No.	Description	Part No.
13	Filter (1 each)	25629P-03
14	Filter (1 each)	14096P-09
15	Undercut Gel Earseal (pair)	40863G-02
16	Clip, Cord (4/pk)	15125P-02
17	Left Dome	11353P-28
18	Boom Guide Kit	12840G-01
19	Mic Plug Cord Kit	18804G-11
20	Mic Boom Assembly	12762G-04
21	Microphone M-101/AIC	09168P-20
22	Comm Cord Kit	40599G-25
23	Headpad Restraint, Foam	40266G-01

ELECTRICAL SCHEMATIC
MODEL H10-56N

