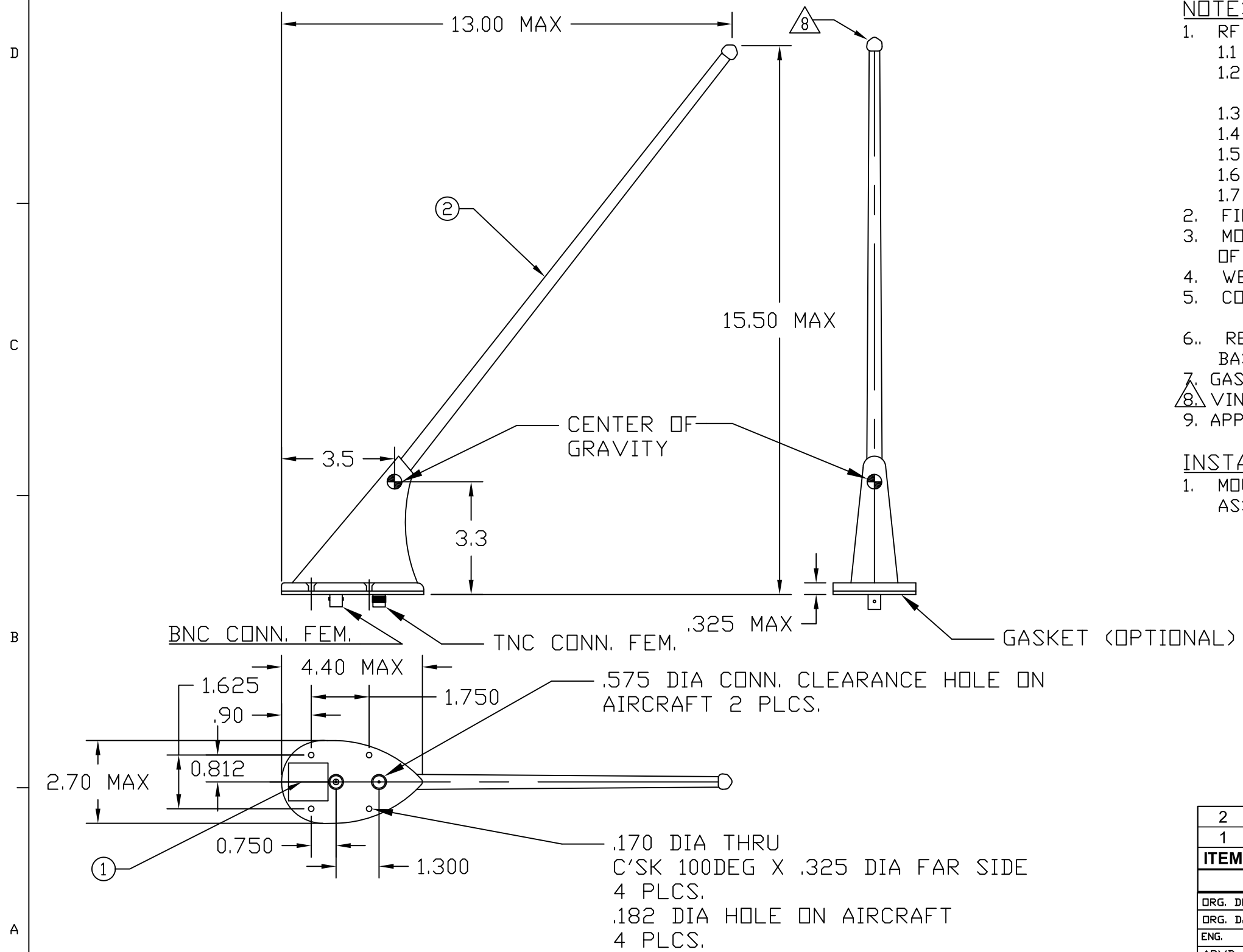


THIS DOCUMENT AND THE DATA DISCLOSED HEREIN OR HEREWITH IS PROPERTY OF AND BELONGS TO ACR ELECTRONICS, INC. FT LAUDERDALE FL. IT IS FURNISHED IN CONFIDENCE SOLEY FOR INFORMATIONAL PURPOSES. IT IS NOT TO BE REPRODUCED, USED OR DISCLOSED IN WHOLE OR IN PART TO ANYONE WITHOUT THE PERMISSION OF ACR ELECTRONICS, INC.

DATE	SYM	REVISION RECORD	AUTH	DR
06-16-10	B	DCA W9796	LF	BL
09-28-11	C	ECD 14818	ME	CW



**NOTES:**

- RF CHARACTERISTICS
  - 1.1 FREQUENCY: 121.5, 243, AND 406 MHz
  - 1.2 VSWR: 2.0:1 MAX FOR 121.5/243 MHz, 1.5:1 MAX FOR 406 MHz
  - 1.3 POLARIZATION: VERTICAL
  - 1.4 POWER RATING: 25 WATTS
  - 1.5 RADIATION PATTERN: OMNI-DIRECTIONAL
  - 1.6 IMPEDANCE: 50 OHMS NOMINAL
  - 1.7 ISOLATION: 10dB BETWEEN PORTS
- FINISH: WHITE GLOSSY, NON-YELLOWING PAINT.
- MOUNTING SURFACE, CONNECTOR AND MOUNTING HOLES ARE FREE OF PAINT.
- WEIGHT: .45 LBS. +/- .05LBS.
- CONNECTOR: BNC(F) FOR 121.5, 243 MHz, TNC(F) FOR 406 MHz
- RECESSED TUNING SCREW WITH B-LAM SEALING FLUSH WITH THE BASE OF THE ANTENNA.
- GASKET OPTIONAL: 280-0320
- VINYL TIP, WHITE AFFIXED WITH ADHESIVE.
- APPLY LABEL (ITEM 1) OVER MANUFACTURER'S LABEL AS SHOWN.

**INSTALLATION INSTRUCTIONS:**

- MOUNT ANTENNA USING #8-32 STAINLESS MACHINE SCREWS AND ASSOCIATED HARDWARE AND TORQUE TO 20 IN-POUNDS (MAX).

2	1	870-0317	ANTENNA, CI-317 RD
1	1	591-0317	LABEL, CI-317 RD ANT.
ITEM	QTY	PART NUMBER	DESCRIPTION
LIST OF MATERIALS OR PARTS LIST			
ORG. DR. BY:	R JUDSON	<b>ACR ELECTRONICS INC</b> 5757 RAVENSWOOD RD. FT. LAUDERDALE FL 33312	
ORG. DATE:	05-26-98		
ENG.	D. FRIESEN		
APVD.	W. NEUMEYER		
<b>TRI-BAND ROD ANTENNA</b>			
TOLERANCE TABLE		SIZE	DRAWING NUMBER:
UNLESS OTHERWISE SPECIFIED TOLERANCES ARE:	.XX ±.03 .XXX ±.010 .XXXX ±.0050 XX* ±1*	<b>B</b>	110-320
UNLESS OTHERWISE SPECIFIED DIMENSIONS ARE IN INCHES & PER ASME Y14.5M		SCALE:	CAGE CODE
		NONE	<b>60253</b>
			REV. C
			SHEET 1 OF 1