



# TI5400 GPU-24

TI5400 GPU-24

NSN: 6130-01-452-2807 (CL IX)

TIMV5400 GPU-24

NSN: 6130-01-475-5333 (CL IX)

Power Anytime, Anywhere



## Pure Power - No Spikes or Surges

- 24 Vdc for engine starting
- 400 amps continuous 28.5 Vdc (plugged into ac power) for testing and troubleshooting avionics and weapons systems
- Technology upgrades available

## Perfect Aircraft Ground Power/Starting Solution

- 3000 peak starting amps
- Eliminates hot starts
- Ideal power for maintenance hangars, FARPs, and deployment

## Safe and Easy Operation

- One person can maneuver and operate the unit
- Non-hazardous, dry-cell technology
- "Push to Test" feature provides instant state of charge

## Maintenance-Free Performance

- Operates from 200 - 260 ac power, three phase
- Simply plug into ac power when not in use
- 5 to 7 year service life with a 2 year warranty (3 years optional)

## Specifications

- Size: 50" L x 24.5" W x 16" H (1270 mm x 622.3 mm x 406.4 mm)
- Weight: 251 lbs (113.85 kg)

## Input Requirements

- 60Hz - runs/charges from 3-phase 200-260 Vac power 60 amps

Tesla™ Industries, Inc.

[www.teslaind.com](http://www.teslaind.com)

Email: [tesla1@teslaind.com](mailto:tesla1@teslaind.com)

**Headquarters:** (302) 324-8910

101 Centerpoint Blvd. New Castle, DE 19720 USA

**Western Regional Office:** (775) 622-8801

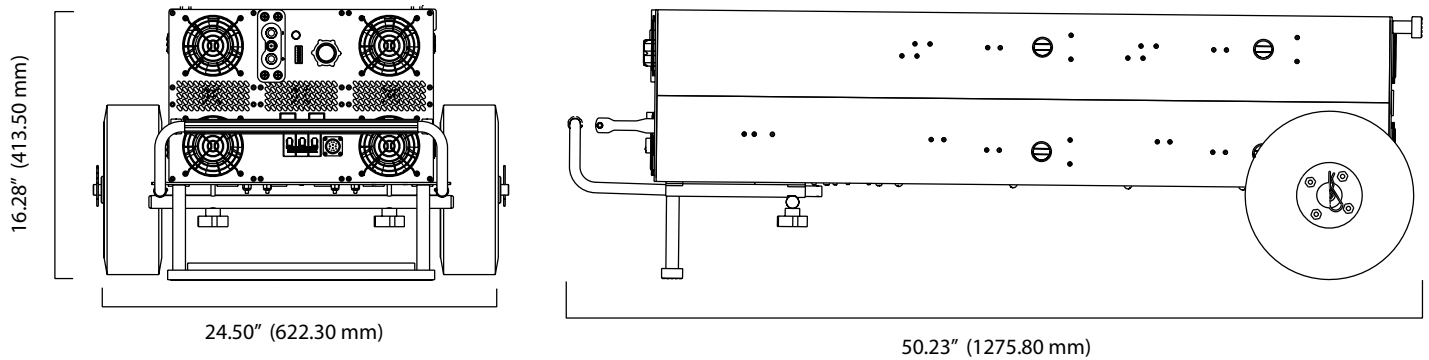
9475 Double R Blvd. Suite 2, Reno, NV 89521 USA



The POWER  
Of RED™



# Dimensions and Technical Specifications



\* All dimensions are in inches [millimeters]

## Technical Specifications:

DC Output	400 amps continuous @ 28.5 VDC - 8736 Watts (when plugged into ac power) 446 amp hours (12,424 watt hours) with ac power 46 amp hours (1,024 watt hours) of rechargeable battery power without ac power
Peak Starting Amps	3000 A
AC Input	Operates and charges from Three Phase 200-260 Vac, 50/60 Hz 42 amps @ 208 Vac 60 Hz - 8736 Watts Requires 60 amp service (contact Tesla™ Industries for receptacle information)
Recharging Rate	12 minutes (from full discharge) @ 25 °C
Vibration	Exceeds MIL-STD-810F
Storage Temperature	-65 °C to 105 °C (-85 °F to 221 °F)
Operating Temperature w/o AC Power	-40 °C to 60 °C (-40 °F to 140 °F)
Operating Temperature w/ AC Power	-40 °C to 55 °C (-40 °F to 131 °F)
Weight	251 lbs (113.85 kg)



**All configurations include...**  
**TI7000-056** (490 PW)  
 Hardwired Three Phase Plug  
 AC Line Cord Length: 30ft

## OPTIONAL ACCESSORIES



TI7000-084 Protective Cover



TI7000-065 Shipping Case

## INCLUDES

TI5400 GPU-24  
 NSN: **6130-01-452-2807** (CL IX)



**TI2007-208**  
 8ft. DC Aviation Cable Assembly

TIMV5400 GPU-24  
 NSN: **6130-01-475-5333** (CL IX)



**TI2007-315**  
 15ft. DC NATO Cable Assembly



# TI5400 GPU Series

Specifications / Comparison Chart



Standard Features	TI5400 GPU	TI5400 GPU 400 HZ GPU-24 GHMD	TI5400 GPU 400 HZ GPU-24 UAV ACDC	TI5400A GPU 400 HZ GPU-24 UAV ACDC
Telescopic handle and foam-filled tires for portability	X	X	X	X
400 Hz Aircraft Power Cable			X	X
LED charge status meter	X	X	X	X
DC Output Contactor with On /Off Buttons	X	X	X	X
Powder coated, extruded aluminum casing. Lightweight, strong and corrosion resistant.	X	X	X	X
2,000 Watt AC uninterruptible pure sine wave inverter with convenient power outlet (60Hz 120V) to plug in laptops, test instruments, cell phone chargers, and other electrical devices.			X	X
2 Year Limited Warranty	X	X	X	X
Digital Volt/Amp Meter			X	X
Options and Accessories				
Rain/Dust Cover	X	X	X	X
Shipping Case	X	X	X	X
Optional Tow Cart with rear wheel disc brakes	X	X	X	X
3 Year Limited Warranty	X	X	X	X
Physical Dimensions				
Weight	251 lbs.	267 lbs.	292 lbs.	292 lbs.
Dimensions	50.23"L x 24.5"W x 16.28"H	50.23"L x 24.5"W x 21.25"H	50.23"L x 24.5"W x 22.28"H	50.23"L x 24.5"W x 22.28"H

**OPTIONAL ACCESSORIES**



**TI2000-155** Tow Cart for...  
TI5400 Series GPUs



**TI7000-083** Protective Cover for...  
TI5400 400Hz GPU-24 GHMD,  
TI5400 400Hz GPU-24 UAV ACDC,  
TI5400A 400Hz GPU-24 UAV ACDC



**TI7000-084** Protective Cover for...  
TI5400 GPU-24



**TI7000-129** Shipping Case for...  
TI5400 400Hz GPU-24 GHMD,  
TI5400 400Hz GPU-24 UAV ACDC,  
TI5400A 400Hz GPU-24 UAV ACDC



**TI7000-065** Shipping Case for...  
TI5400 GPU-24



**TI7000-190** Shipping Case for...  
TI5400 400Hz GPU-24 UAV ACDC,  
TI5400A 400Hz GPU-24 UAV ACDC



# TI5400 GPU Series

Specifications / Comparison Chart



MIL-STD Certification	TI5400 GPU	TI5400 GPU 400 HZ GPU-24 GHMD	TI5400 GPU 400 HZ GPU-24 UAV ACDC	TI5400A GPU 400 HZ GPU-24 UAV ACDC
Meets or exceeds MIL810F / MIL 461 tests	<b>X</b>	<b>X</b>	<b>X</b>	<b>X</b>
Meets or exceeds Global Hawk aircraft system requirements	<b>X</b>	<b>X</b>	<b>X</b>	<b>X</b>
<b>Performance Capabilities</b>				
<b>Input Requirements</b>				
60Hz - runs/charges from 3-phase 208-240 Vac power 42 amps	<b>X</b>	<b>X</b>	<b>X</b>	<b>X</b>
400Hz - runs/charges from 3-phase 208-240 Vac power 45 amps		<b>X</b>		
400Hz - runs/charges from 3-phase 200 Y 115 Vac power 75 amps			<b>X</b>	<b>X</b>
<b>Power Output</b>				
400 amps @ 28.5 Vdc continuous 446 amps for 1 hour (10,615 watt hours) with 208-240 Vac power, 3-phase 46 amps for 1 hour (1,024 watt hours) without 208-240 Vac power, 3-phase 3000 peak starting amps	<b>X</b>	<b>X</b>		<b>X</b>
400 amps @ 30.25 Vdc continuous 446 amps for 1 hour (10,615 watt hours) with 208-240 Vac power, 3-phase 46 amps for 1 hour (1,024 watt hours) without 208-240 Vac power, 3-phase 3000 peak starting amps			<b>X</b>	
2 kW ac inverter with 60 Hz 120 Vac power outlet			<b>X</b>	<b>X</b>
10.8 kVA 30 Amp 200 Y 115 Vac 400 Hz. ac filter functions to purify "dirty" 400 Hz power to produce "clean" power to test avionics and weapon systems. The system instantly detects and suppresses any surges or spikes, safeguarding delicate electronics.			<b>X</b>	<b>X</b>
Recharge rate - ac to dc	12 min.	12 min.	12 min.	12 min.
<b>Cross Platform Capabilities</b>				
Power or start any vehicle/aircraft that utilizes a 24 volt system	<b>X</b>	<b>X</b>	<b>X</b>	<b>X</b>
Test delicate avionics and weapon systems	<b>X</b>	<b>X</b>	<b>X</b>	<b>X</b>
Provide reliable 400Hz* ground power <small>*requires 400Hz input power</small>			<b>X</b>	<b>X</b>
<b>Advantages</b>				
No Hazmat or disposal issues	<b>X</b>	<b>X</b>	<b>X</b>	<b>X</b>
Water resistant	<b>X</b>	<b>X</b>	<b>X</b>	<b>X</b>
Maintenance-free design	<b>X</b>	<b>X</b>	<b>X</b>	<b>X</b>
Technology upgrades available	<b>X</b>	<b>X</b>	<b>X</b>	<b>X</b>
Maintenance-free lead dry-cell power (No MSDS for Battery Acid)	<b>X</b>	<b>X</b>	<b>X</b>	<b>X</b>
Multiple starts with back-charge from started engine (applies to track and wheeled vehicles)	<b>X</b>			