



TI5400 400Hz GPU-24 GHMD

NSN: 6130-01-572-4832 (CL IX)

Power Anytime, Anywhere



Pure Power - No Spikes or Surges

- 24 Vdc for engine starting
- 400 amps continuous 28.5 Vdc (plugged into ac power) for testing and troubleshooting avionics and weapons systems
- Technology upgrades available

Perfect Aircraft Ground Power/Starting Solution

- 3000 peak starting amps
- Eliminates hot starts
- Ideal power for maintenance hangars, FARP's, and deployment

Safe and Easy Operation

- One person can maneuver and operate the unit
- Non-hazardous, dry-cell technology
- "Push to Test" feature provides instant state of charge

Maintenance-Free Performance

- Operates and charges from either three phase 187-260 Vac 50/60 Hz or three phase Wye 115/200 Vac 400 Hz
- Simply plug into ac power when not in use
- 5 to 7-year service life with a 2-year warranty (3-years optional)

Specifications

- Size: 50.23" L x 24.50" W x 21.25" H
- 1275.80 mm x 622.30 mm x 539.75 mm
- Weight: 267 lbs (121.11 kg)

Input Requirements

- 60Hz - runs/charges from 3-phase 200-260 Vac power 60 amps

Tesla™ Industries, Inc.

www.teslainsd.com

Email: tesla1@teslainsd.com

Headquarters: (302) 324-8910

101 Centerpoint Blvd. New Castle, DE 19720 USA

Western Regional Office: (775) 622-8801

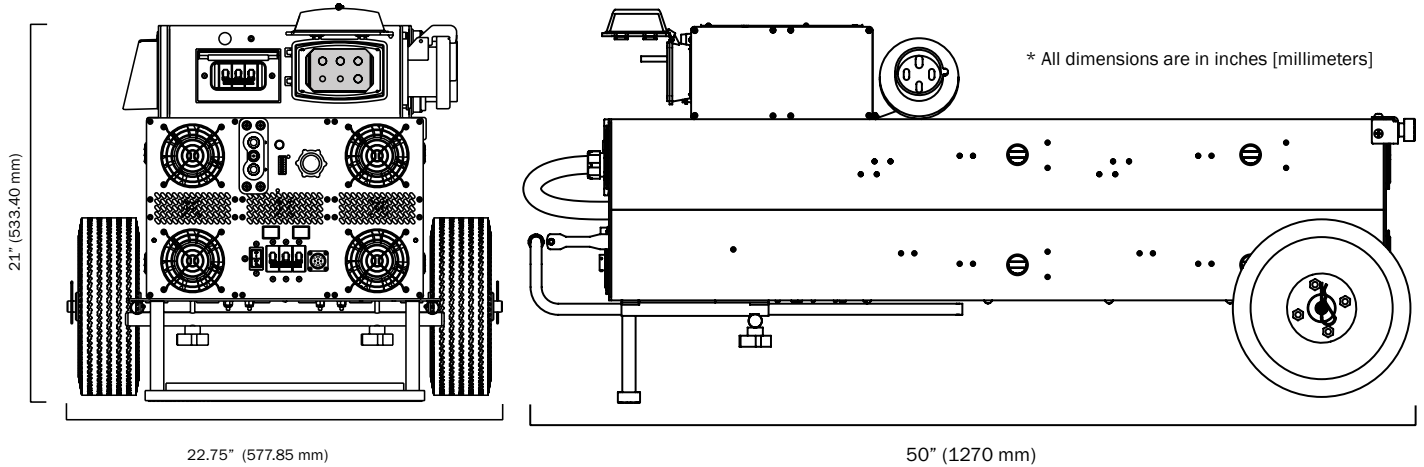
9475 Double R Blvd. Suite 2, Reno, NV 89521 USA



The POWER
Of
RED™



Dimensions and Technical Specifications



Technical Specifications:

DC Output	400 amps continuous @ 28.5 Vdc - 8736 Watts (when plugged into ac power) 446 amp hours (12,424 watt hours) with ac power 46 amp hours (1,024 watt hours) of rechargeable battery power without ac power
Peak Starting Amps	3000 A
AC Input	Operates and charges from either three phase 187-260 Vac 50/60 Hz or three phase Wye 115/200 Vac 400 Hz 42 amps @ 208 Vac 60 Hz 45 amps @ 200 Vac 400 Hz Requires 60 amp service (contact Tesla™ Industries for receptacle information)
Recharging Rate	12 minutes (from full discharge) @ 25 °C
Vibration	Exceeds MIL-STD-810F
Storage Temperature	-65 °C to 105 °C (-85 °F to 221 °F)
Operating Temperature w/o AC Power	-40 °C to 60 °C (-40 °F to 140 °F)
Operating Temperature w/ AC Power	-40 °C to 55 °C (-40 °F to 131 °F)
Weight	267 lbs (121.11 kg)

Includes:



TI2007-225 25 Ft. DC Aviation Cable Assembly

and



TI2000-070 Three Phase Ext. Cable with 460 P9W

and



TI7000-056 (490 PW) Hardwired Three Phase Plug AC Line Cord Length: 7ft

Optional Accessories:



TI7000-083 Protective Cover



TI2000-155 Tow Cart with **TI7000-129** Storage Case attached



TI3100A Digital/Amp Meter (DVAM)



TI5400 GPU Series

Specifications / Comparison Chart



Standard Features	TI5400 GPU	TI5400 GPU 400 HZ GPU-24 GHMD	TI5400 GPU 400 HZ GPU-24 UAV ACDC	TI5400A GPU 400 HZ GPU-24 UAV ACDC
Telescopic handle and foam-filled tires for portability	X	X	X	X
400 Hz Aircraft Power Cable			X	X
LED charge status meter	X	X	X	X
DC Output Contactor with On /Off Buttons	X	X	X	X
Powder coated, extruded aluminum casing. Lightweight, strong and corrosion resistant.	X	X	X	X
2,000 Watt AC uninterruptible pure sine wave inverter with convenient power outlet (60Hz 120V) to plug in laptops, test instruments, cell phone chargers, and other electrical devices.			X	X
2 Year Limited Warranty	X	X	X	X
Digital Volt/Amp Meter			X	X
Options and Accessories				
Rain/Dust Cover	X	X	X	X
Shipping Case	X	X	X	X
Optional Tow Cart with rear wheel disc brakes	X	X	X	X
3 Year Limited Warranty	X	X	X	X
Physical Dimensions				
Weight	251 lbs.	267 lbs.	292 lbs.	292 lbs.
Dimensions	50.23"L x 24.5"W x 16.28"H	50.23"L x 24.5"W x 21.25"H	50.23"L x 24.5"W x 22.28"H	50.23"L x 24.5"W x 22.28"H

OPTIONAL ACCESSORIES



TI2000-155 Tow Cart for...
TI5400 Series GPUs



TI7000-083 Protective Cover for...
TI5400 400Hz GPU-24 GHMD,
TI5400 400Hz GPU-24 UAV ACDC,
TI5400A 400Hz GPU-24 UAV ACDC



TI7000-084 Protective Cover for...
TI5400 GPU-24



TI7000-129 Shipping Case for...
TI5400 400Hz GPU-24 GHMD,
TI5400 400Hz GPU-24 UAV ACDC,
TI5400A 400Hz GPU-24 UAV ACDC



TI7000-065 Shipping Case for...
TI5400 GPU-24



TI7000-190 Shipping Case for...
TI5400 400Hz GPU-24 UAV ACDC,
TI5400A 400Hz GPU-24 UAV ACDC



TI5400 GPU Series

Specifications / Comparison Chart



MIL-STD Certification	TI5400 GPU	TI5400 GPU 400 HZ GPU-24 GHMD	TI5400 GPU 400 HZ GPU-24 UAV ACDC	TI5400A GPU 400 HZ GPU-24 UAV ACDC
Meets or exceeds MIL810F / MIL 461 tests	X	X	X	X
Meets or exceeds Global Hawk aircraft system requirements	X	X	X	X
Performance Capabilities				
Input Requirements				
60Hz - runs/charges from 3-phase 208-240 Vac power 42 amps	X	X	X	X
400Hz - runs/charges from 3-phase 208-240 Vac power 45 amps		X		
400Hz - runs/charges from 3-phase 200 Y 115 Vac power 75 amps			X	X
Power Output				
400 amps @ 28.5 Vdc continuous 446 amps for 1 hour (10,615 watt hours) with 208-240 Vac power, 3-phase 46 amps for 1 hour (1,024 watt hours) without 208-240 Vac power, 3-phase 3000 peak starting amps	X	X		X
400 amps @ 30.25 Vdc continuous 446 amps for 1 hour (10,615 watt hours) with 208-240 Vac power, 3-phase 46 amps for 1 hour (1,024 watt hours) without 208-240 Vac power, 3-phase 3000 peak starting amps			X	
2 kW ac inverter with 60 Hz 120 Vac power outlet			X	X
10.8 kVA 30 Amp 200 Y 115 Vac 400 Hz. ac filter functions to purify "dirty" 400 Hz power to produce "clean" power to test avionics and weapon systems. The system instantly detects and suppresses any surges or spikes, safeguarding delicate electronics.			X	X
Recharge rate - ac to dc	12 min.	12 min.	12 min.	12 min.
Cross Platform Capabilities				
Power or start any vehicle/aircraft that utilizes a 24 volt system	X	X	X	X
Test delicate avionics and weapon systems	X	X	X	X
Provide reliable 400Hz* ground power <small>*requires 400Hz input power</small>			X	X
Advantages				
No Hazmat or disposal issues	X	X	X	X
Water resistant	X	X	X	X
Maintenance-free design	X	X	X	X
Technology upgrades available	X	X	X	X
Maintenance-free lead dry-cell power (No MSDS for Battery Acid)	X	X	X	X
Multiple starts with back-charge from started engine (applies to track and wheeled vehicles)	X			