

ICAO Low Intensity Obstruction Light

AV-OL Series Type 1 & Type 2 Complete Light Assembly

Features

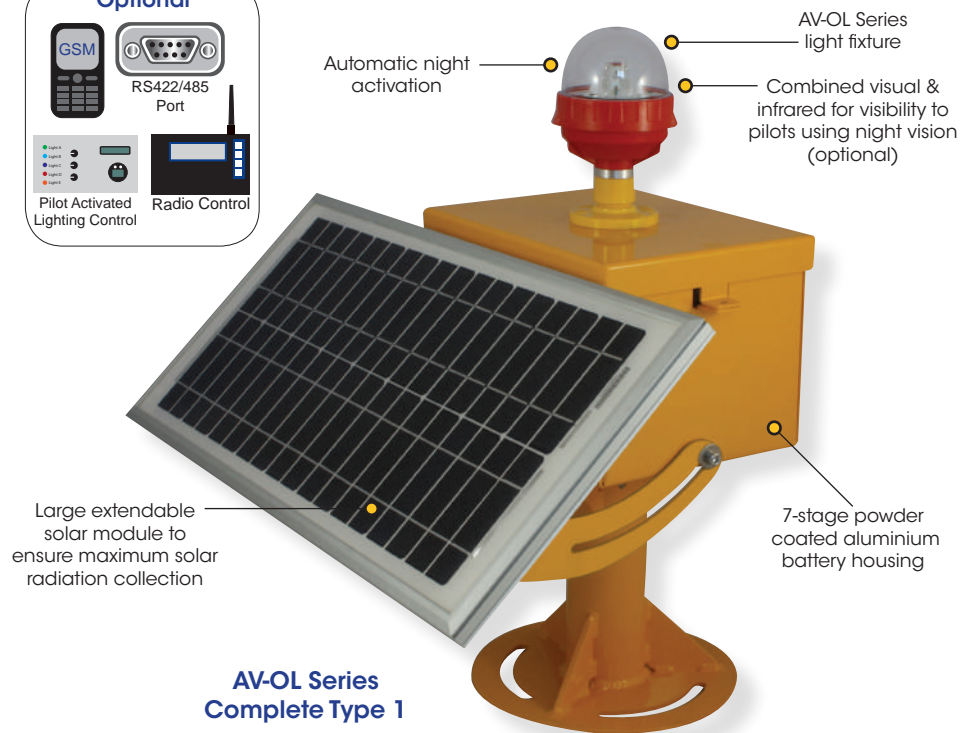
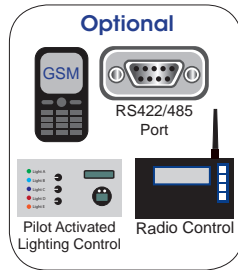
- Cost effective, energy efficient obstruction lighting solution
- Integrated solar/battery system
- Available in two power supply sizes to suit various locations
- User-adjustable intensity to toggle between ICAO LIOL Type A (10cd) & LIOL Type B (32cd)
- Light sensor for day/night operation
- LED technology reduces maintenance time and costs
- Alarm contact for remote monitoring
- Available with optional GSM monitoring
- Available with optional Radio Control
- Available with optional Pilot Activated Lighting Control
- Available with optional RS422/485 communications port for monitoring
- Optional combined visual/IR for pilots using NVG
- Optional dual light fixture enables simultaneous twin operation or redundant failsafe

Applications

- Solar powered Low Intensity Obstruction Light for marking obstacles that do not exceed 45 metres in height

Compliance

- Low Intensity Type A & B Obstruction Light, ICAO Annex 14 Volume 1, 'Aerodrome Design and Operations', Fourth edition July 2004, table 6.3



AV-OL Series Complete Type 1

Avlite's low intensity LED obstruction light complete assembly is a self-contained, solar powered obstruction light designed to comply with ICAO LIOL Type A & Type B requirements.

The unit is equipped with a standard AV-OL Series light-head, and uses a single high intensity LED as a light source.

The ICAO model has adjustable intensity settings allowing the user to easily toggle between 10cd (ICAO Type A) and 32cd (ICAO Type B).

The solar modules charge the battery during daylight hours, and the light automatically begins operation at dusk once the ambient light threshold drops sufficiently.

The assembly is available in two solar/battery configurations to suit a range of installations and ensures years of maintenance-free reliable service.

The obstruction light is also available with combined visual and infrared (IR) for visibility to pilots using night vision.

The solar assembly is also available with dual light fixture for redundant failsafe.

The AV-OL Series complete light assembly is also available with the following optional features:

Optional GSM Cell-Phone Monitoring & Control

Optional GSM Cell-Phone Monitoring is also available enabling operators to remotely monitor the status of their installation. The system can also be configured to send out SMS text messages or e-mail alerts to designated operators should alarm conditions be triggered, such as low voltage or light failure.

Optional Radio Control

The complete light assembly is also available with 2.4GHz Radio Control, whereby lights can be operated by a wireless handheld controller and/or via a Pilot Activated Lighting Controller.

ICAO Low Intensity Obstruction Light

AV-OL Series Type 1 & Type 2 Complete Light Assembly

SPECIFICATIONS * *

Light Characteristics

Light Source
Available colors
Peak Intensity (cd) †
Horizontal Output (degrees)
Vertical Divergence (degrees)

Reflector Type
Intensity Adjustments

LED Life Expectancy (hours)

Electrical Characteristics

Current Draw (mA) ‡

Circuit Protection
Operating Voltage (VDC)
Temperature Range

Solar Characteristics

Solar Module Type
Output (watts)
Solar Module Efficiency (%)
Charging Regulation

Power Supply

Battery Type
Battery Capacity (Ah)
Nominal Voltage (V)
Autonomy (nights)

Physical Characteristics

Body Material
Lens Material
Lens Diameter (mm/inches)
Lens Design
Mounting
Height (mm/inches)
Width (mm/inches)
Mass (kg/lbs)
Product Life Expectancy

Certifications

CE
Quality Assurance
ICAO

Waterproof

Intellectual Property

Trademarks

Warranty *

Options Available

Type 1

As tested;
ICAO: AV-OL-ILAB-12 (Type A) & AV-OL-ILAB-12 (Type B)
Red as standard. Other colors available on request, including IR
Complies with ICAO LIOLA & LIOLB 360
ICAO Model: as per ICAO Type A/B specification
Single LED Optic
ICAO Model: User-adjustable between 10cd & 32cd
>100,000

@ 12V:
ICAO LIOL Type A @ 10cd Steady-on with relay energised: I_{max} = 65
ICAO LIOL Type B @ 32cd Steady-on with relay energised: I_{max} = 120
Integrated
12
-40 to 80°C

Multicrystalline
20
14
Microprocessor controlled

SLA (Sealed Lead Acid)
26
12
Steady-on: >10

7-stage powder-coated aluminium
LEXAN® Polycarbonate - UV stabilized
100 / 3⁷/₈
Single LED Optic
200mm bolt pattern
606 / 23⁷/₈
656 / 25³/₄
30.5 / 6⁷/₈
Up to 12 years

EN61000-6-3:1997. EN61000-6-1:1997
ISO9001:2008
Low Intensity Obstruction Light Type A & B
IP67

AVLITE® is a registered trademark of Avlite Systems
3 year warranty

- Radio Controlled
- Avlite Pilot Activated Lighting Control
- GSM Cell-Phone Monitoring
- RS422/485 communications port
- Dual visual/IR output
- IR LED
- Dual light fixture

Note: It is not recommended to use a dual light fixture at ICAO Type B (32cd) intensity setting. Contact your local Avlite representative to discuss specific solar, battery sizing requirements and options

Type 2

As tested;
ICAO: AV-OL-ILAB-12 (Type A) & AV-OL-ILAB-12 (Type B)
Red as standard. Other colors available on request, including IR
Complies with ICAO LIOLA & LIOLB 360
ICAO Model: as per ICAO Type A/B specification
Single LED Optic
ICAO Model: User-adjustable between 10cd & 32cd
>100,000

@ 12V:
ICAO LIOL Type A @ 10cd Steady-on with relay energised: I_{max} = 65
ICAO LIOL Type B @ 32cd Steady-on with relay energised: I_{max} = 120
Integrated
12
-40 to 80°C

Multicrystalline
40
14
Microprocessor controlled

SLA (Sealed Lead Acid)
55
12
Steady-on: >20

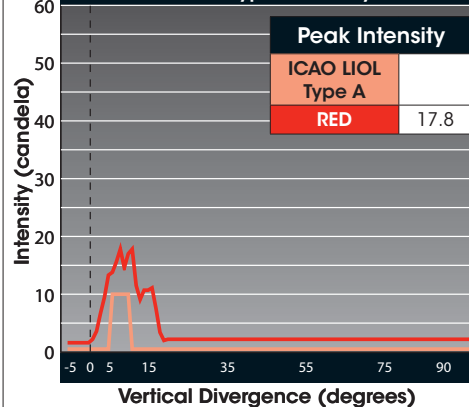
7-stage powder-coated aluminium
LEXAN® Polycarbonate - UV stabilized
100 / 3⁷/₈
Single LED Optic
200mm bolt pattern
646 / 25¹/₂
665 / 26¹/₄
55.5 / 12¹/₄
Up to 12 years

EN61000-6-3:1997. EN61000-6-1:1997
ISO9001:2008
Low Intensity Obstruction Light Type A & B
IP67

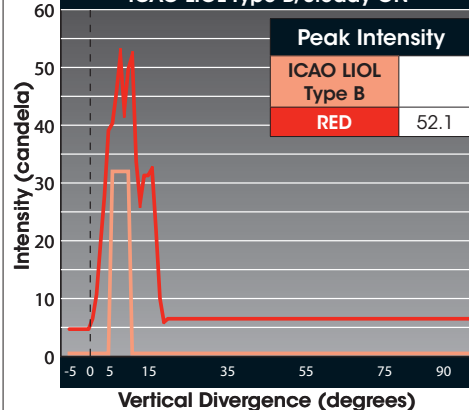
AVLITE® is a registered trademark of Avlite Systems
3 year warranty

- Radio Controlled
- Avlite Pilot Activated Lighting Control
- GSM Cell-Phone Monitoring
- RS422/485 communications port
- Dual visual/IR output
- IR LED
- Dual light fixture
- 100AH battery
- 60watt solar module

Photometric Output:
ICAO LIOL Type A, Steady ON



Photometric Output:
ICAO LIOL Type B, Steady ON



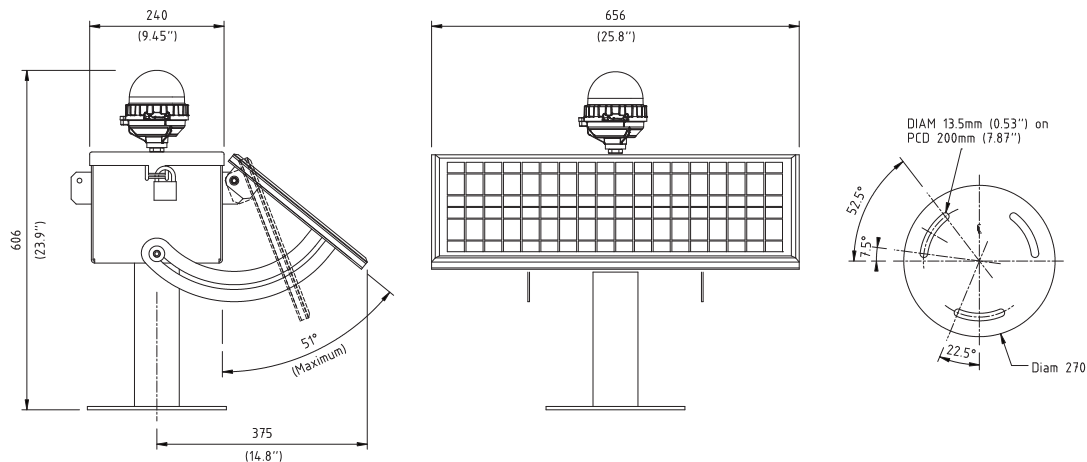
* Specifications subject to change or variation without notice
* Subject to standard terms and conditions
† Intensity setting subject to solar availability
‡ When used in redundant failsafe mode



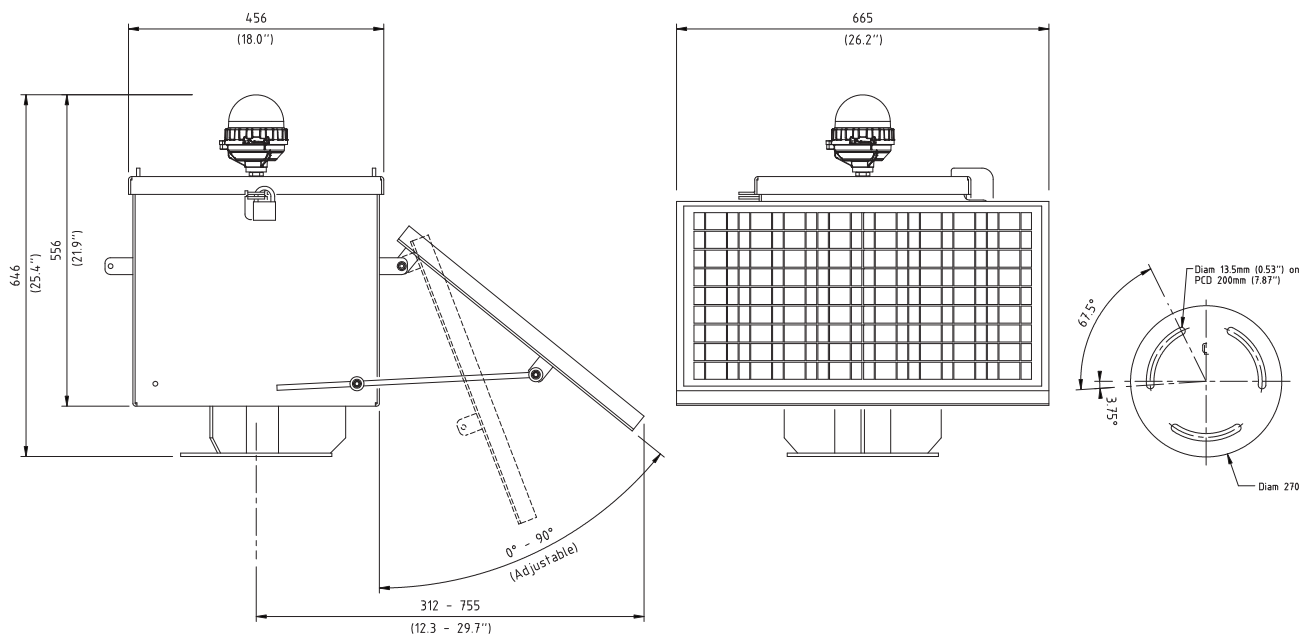
ICAO Low Intensity Obstruction Light

AV-OL Series Type 1 & Type 2 Complete Light Assembly

AV-OL Series Complete Light Assembly Type 1



AV-OL Series Complete Light Assembly Type 2



AV-OL Series Obstruction Lights

How to order

HOW TO ORDER AV-OL Series Obstruction Lights:

ICAO Compliant

AV-OL-ILAB-[Model]-[Color]-[?]-[?]-[?]-[?]

Product No.:

Model:

12 = 12-48 VDC

UM = 110-240 VAC

Color:

R = Red

IR = Infrared

RIR = Combined Red/IR

Single or Dual Fixture:

[blank] = Single light fixture

[D] = Dual light fixture

Solar/Battery Configuration:

CT1 = Type 1

CT2 = Type 2

[blank] = No solar/battery configuration

Monitoring & Control:

G = GSM

RF = Radio Control

[blank] = No monitoring & control

RS Communications Port:

RS = RS communications port

[blank] = No RS communications port

