



amesys
BEN

Multi Function Repeater MFR 5.1''



The Multi Function Repeater allows display of alphanumeric data issued from:

- *navigation network*
- *speed log information*
- *GPS*
- *compass*
- *wind network*
- *temperature*
- *others specific sensors displays on request*

Each repeater can display 1 information on one page and until 4 information on one page. Many pages available.

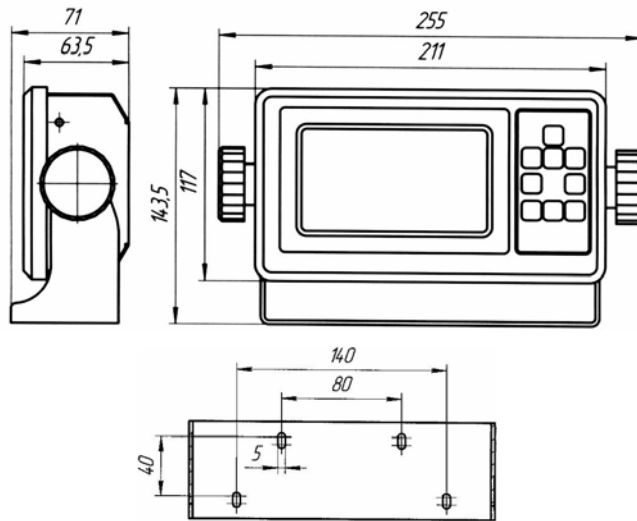
PHYSICAL FEATURES

- Dimensions : 211 x 117 x 63.5mm
- Weight : 2.20 kg
- Power supply: 10 – 36 VDC

The cabinet can be flush mounted or bulkhead mounted.



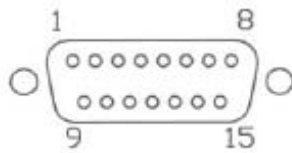
DIMENSIONS (in millimeters)



POWER CONNECTOR

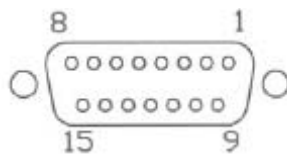
DEVICE: DB-15M

SUPLY VOLTAGE 10 - 36 VDC



2-3, 9-10	PLUS (+)
7-8, 14-15	MINUS (-)
4-5, 11-12	GND

CABLE: DB-15F



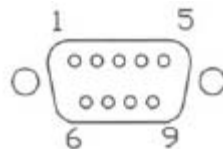
For example :

« + » should be soldered to pins : 2, 3, 9, 10.
The same is in all cases

INTERFACE CONNECTION

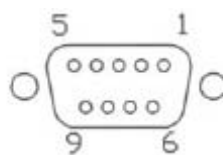
DEVICE: DB-9M

Data interface unit RS-422



1	Tx-	Red
4.9	GND	Grey
3	Tx+	Yellow
8	Rx-	Blue
5	Rx+	Brown

CABLE: DB-9F



THIS DATA SHEET IS SUBJECT TO ALTERATION WITHOUT NOTICE

DOC051-A

