



amesys
BEN

MFR10

MULTI-FUNCTION COLOUR REPEATER 10.4"



The Multifunction colour repeater allows display of alphanumeric data issued from :

- *navigation network*
- *wind network*
- *weapon network*
- *or any other specific displays, on request.*

On NMEA0183 IEC 61162 or any other customized protocol.

Each repeater can display a unique screen page or a page chosen from a serial of pages for a given type of ship and network.

PHYSICAL FEATURES

- Dimensions : 306 x 276 x 122mm
- Weight : 9 kg
- Power supply: 110VAC - 50/60Hz or 230 VAC - 50/60Hz or 28 VDC
- Power: 30 watts

Cast Aluminium box dim.
306 x 276 x 122mm.

The cabinet can be flush mounted or bulkhead mounted.

Data are displayed on a colour TFT 10.4" Screen.

- Two display modes are available:
 - fixed page mode
 - selective page mode (using keyboard)
Each page can be displayed in daylight or moonlight Brightness adjustment until complete extinction.
- Two versions are available:
 - with a keyboard for menu and page selection or
 - with a touch screen for menu and page selection.

TECHNICAL FEATURES

- Inputs :
 - One RS485/ 422/ 232
 - One ETHERNET RJ-45
 - One dry contact
- Outputs :
 - One dry contact for alarm
 - One dry contact for operational status (internal watchdog)
- Connection on connector
- Complying with EIA RS 422 specs (for standard version)
- Input/output (RS422, dry contact) : Souriau socket male 14pts 851-02E12-14P50 with female plug 851-06EC12-14S50
- Power supply : Souriau socket male 3pts 851-02E12-3P50 with female plug 85106EC12-3S50
- Ethernet : socket RJfield Amphenol Socapex RJF 21G with plug RJfield RJF 6MG

MAINTENANCE

- BITE
- 3 x Internal Led status

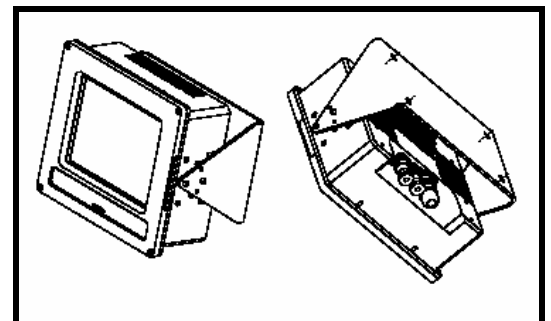
DISPLAY FEATURES

- Resolution or Pixel format : 640 x 480
- Brightness : 350 cd/m²
- Horizontal viewing range 140°
- Vertical viewing range 110°
- Contrast ratio : 300

ENVIRONMENTAL FEATURES

- Storage T° : -30°C/ + 70°C
- Operating T° : -10°C/ + 50°C
- IP 56 in standard
- For higher IP, please contact i2e DiFFUSiON

The MFR is qualified to French Navy and NATO standards according to the latest GAM EG-13 Norm



APPLICATION FIELDS

- Submarines,
- Surface Ships.

