

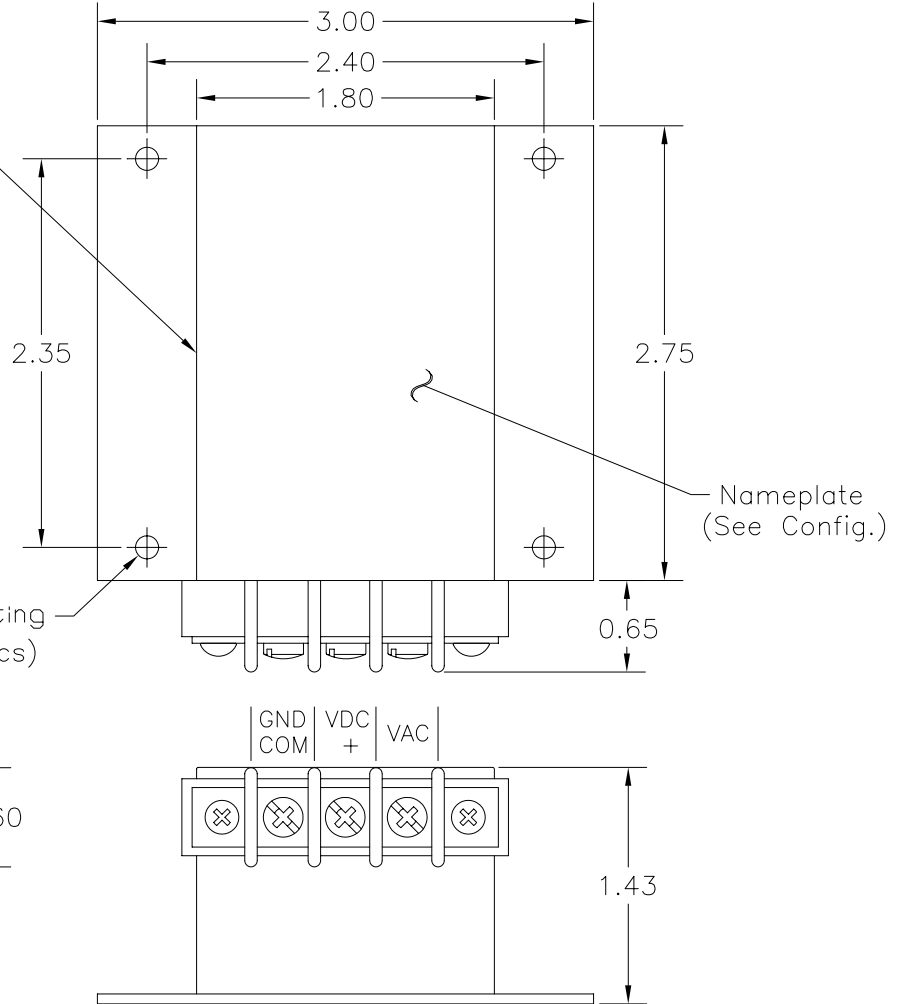
Configuration			
Dash #	Specifications	Nameplate	Top Level Assy
-14		6016471	7019995
-28		6016463	8012015

Revisions				
ECO	Rev.	Description	Date	Approved
	A	Add P/N and Ref. dwg numbers.	7/26/95	BB
508	B	Redraw in CAD on updated title block.	2/19/97	ScH
1377	C	Dwg number was 1017254. Add nameplate P/N.	10/1/99	JBR
1777	D	Add decal P/N 7013592.	6/16/00	ScH, MTH

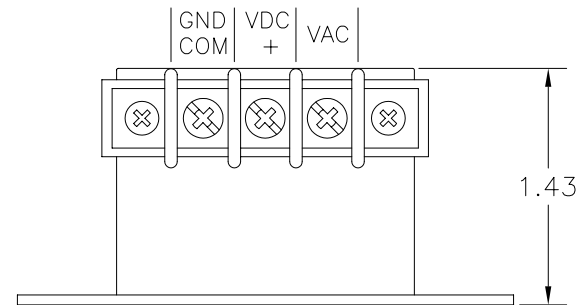
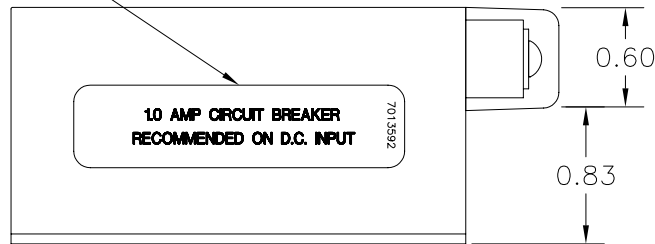
Specifications:

- 1) P/N MD26-28.  
Input: 28VDC @ .2 Amp.  
Output: 26VAC, 400Hz, Single Phase, 10Volt-Amp.
- 2) P/N MD26-14.  
Input: 14VDC @ .4 Amp.  
Output: 26VAC, 400Hz, Single Phase, 10Volt-Amp.
- 3) Weight: 0.5lbs.
- 4) Temperature: Will operate satisfactorily over the range of -55°C to +70°C.
- 5) Humidity: Will operate satisfactorily over the range of 0% to 95% @ 25°C.
- 6) Altitude: -1,000ft. to +50,000ft.
- 7) Vibration: Will withstand .02 inch max. double amplitude; max. acceleration of 3g from 5 to 55 Hz.
- 8) Unit is protected against input transients and reverse polarity.

Decal  
(See the side view)



Decal P/N 7013592



This document discloses proprietary information of Mid-Continent Instrument Co., Inc. It may be reproduced or disclosed only with written permission of Mid-Continent Instrument Co., Inc. and is not to be used in any way detrimental to the interests of Mid-Continent Instrument Co., Inc.

UNLESS OTHERWISE SPECIFIED ALL DIMENSIONS ARE IN INCHES TOLERANCE: FRACTIONAL = ± 1/64 .XX = ± .015 .XXX = ± .005 .XXXX = ± .002 ANGULAR = ± 0.5° CONCENTRICITY: .005 TIR BREAK ALL SHARP EDGES THREADS PER MIL-S-7742 SURFACE ROUGHNESS _____ ✓	DRAWN	S. Hoang	6/22/92
	APPROVED	BB	6/22/92
	TOP LEVEL ASSY:	See Config.	
	USED ON:		
	END ITEM:	MD26-14, -28	
CODE IDENT. NO.:	59742		

MID-CONTINENT INSTRUMENT CO.  
WICHITA, KS

TITLE: DC-AC Inverter  
PART NUMBER: MD26