

MARC-70 Interface Modules

Simplifying Complex Installations



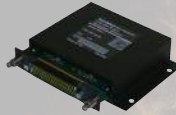
PMA Certified
Multiple Modules to Choose From
Certified to 50,000 Feet or Above
Three Enclosures to Fit Every Requirement

Photo Courtesy NASA Hubble

Installation Solutions Modules

MARC 70 Switching and Interface Modules provide system engineers and installers with simple to install, PMA certified solutions to previously complex installations. MARC 70 modules can be mounted individually in the SRU 1 or grouped in the SRU 5 and SRU 10 multi-module enclosures. No matter which mounting method you choose, servicing the module is as easy as pulling one out and inserting another. And as with all SANDIA aerospace products they are back by a three year no hassle warranty.

Choice of Enclosures



SRU 1
Single Card Enclosure

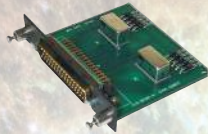


SRU 5
Five Card Enclosure



SRU 10
Ten Card Enclosure

Mil Qualified Switching Modules



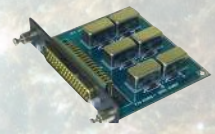
SR 623

The SR263 has two, six pole nitrogen filled relays. The two relays can be activated simultaneously or individually. FAA-PMA



SR 343

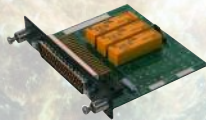
The SR343 has three, four pole nitrogen filled relays. The three relays can be activated simultaneously or individually. FAA-PMA



SR 623

The SR 623 has six, two pole nitrogen filled relays. The six relays are activated individually. FAA-PMA

GA Switching Modules



SR 34

The SR 34 uses three, four pole sealed relays to provide 12 lines of switching. Coil current 60mA. PMA Pending



SR 54

The SR 54 is a twenty pole relay unit ideally suited for switching the HSI between GPS and VOR/LOC functions. Coil Current 120mA. PMA



SR 64

The SR 64 is a multi-purpose relay module that provides 24 lines of switching. Coil current 120mA. FAA-PMA Pending

Special Interface Modules



SA 3/SA 3L/SA 3NVG

Regulator/Dimming Module

Provide .5 amps of annunciator drive (1 amp short term for test purposes). The SA-3 and SA-3L provide two levels of brightness for day and night settings. The SA-3 is used with incandescent lamps, the SA-3L is for use with LED lamps. The SA-3NVG provides a third level of display brightness for NVG applications. FAA-PMA



SA 24

Diode Isolation Module

Provides 23 lines of diode ground-in-ground-out isolation. Internal FET allows simultaneous test of all lines to ground. Requires 28Vdc in for test. FAA-PMA



SA 15

Inverter Module

The SA 15 signal inputs in order to provide common annunciator switching. The SA 15 has 14 inverter outputs. PMA Pending



3700 Osuna Rd. NE
Albuquerque, NM 87109
www.sandia.aero



MARC70

Installation Manual

SA 3/L/NVG

SA 15

SA 24

SR 34

SR 54

SR 64

SR 263

SR 342

SR 623

SRU 1

SRU 5

SRU 10

This document and the information contained herein is the proprietary data of SANDIA aerospace, Inc. No part of this document may be transmitted, reproduced, or copied in any form or by any means without the prior written consent of SANDIA aerospace, Inc. Due to SANDIA aerospace's continued product and quality improvement programs, information contained in this document is subject to change without prior notice.

Copyright 2000 SANDIA aerospace, Inc., All rights reserved. Printed in USA

Record of Revisions

Revision	Date	Description	Approval
-1	June 25, 2000	Initial Release	J. Fiala 000814
-2	March 29, 2001	ECN 3271	J. Fiala 010329
-3	July 16, 2004	ECN 3428	J. Fiala 040716
-4	Sept 26, 2006	ECN 1319	J. Fiala 20060926
-5	June 10, 2010	ECN 3739	L. Harrison 20100610
-6	January 24, 2012	ECN 3866	L. Harrison 20120125

Table Of Contents

Record of Revisions	1
Table of Contents	2
List of Illustrations	3
Section 1 - General Description	4
1.1 Introduction	4
1.1.1 Interface Modules	4
1.1.2 Card Enclosures	4
1.1.3 SRU 1	4
1.1.4 SRU 5	5
1.1.5 SRU 10	5
1.2 Technical Characteristics	5
1.2.1 Physical Characteristics	5
1.2.2 Operational Characteristics	6
1.2.3 Certification	6
Environmental Qualification Form (SA3, SA15, SA24, SR263, SR343, SR623)	7
Environmental Qualification Form (SR34, SR54, SR64)	8
Environmental Qualification Form, SA 3NVG	9
Section - 2 Installation	10
2.1 Introduction	10
2.2 Mounting Considerations	10
2.3 Cooling	10
Section - 3 Installation Procedures	10
3.1 General	10
3.2 Mounting Instructions	10
3.2.1 SRU 1 Outline Dimensions	11
3.2.2 SRU 5 Mounting Instructions	12
3.2.2.1 SRU 5 Outline Dimensions	12
3.2.3 SRU 10 Mounting Instructions	12
3.2.3.1 SRU 10 Outline Dimensions	12
3.3 Interconnect Wiring	14
3.3.1 SA 3/SA3L, Regulator / Dimming Module	14
3.3.2 SA 3NVG Regulator / Dimming Module	14
3.3.3 SA 15, Inverter Module	14
3.3.4 SA 24, Diode Isolation / Test Module	15
3.3.5 SR 34, 12 Pole Switching Module	15
3.3.6 SR 54, 20 Pole Switching Module	15
3.3.7 SR 64, 24 Pole Switching Module	15
3.3.8 SR 263, 12 Pole Switching Module	16
3.3.9 SR 343, 12 Pole Switching Module	16
3.3.10 SR 623, 12 Pole Switching Module	16
SA 3 / SA 3L Schematic and Pinout	17
SA 3NVG Schematic and Pinout	18
SA 15 Schematic and Pinout	18
SA 24 Schematic and Pinout	19
SR 34 & SR 64 Schematic and Pinout	20
SR 54 Schematic and Pinout	21
SR 263 Schematic and Pinout	22
SR 343 Schematic and Pinout	23
SR 623 Schematic and Pinout	24

Table Of Contents con't

3.4 Calibration Procedures	25
3.4.1 SA 3 / SA 3L	26
3.4.2 SA 3NVG	26
3.5 Continued Airworthiness	27

List of Illustrations

Figure 3-1	SRU 1 Outline Dimensions	11
Figure 3-2	SRU 5 / SRU 5-01 Outline Dimensions	12
Figure 3-3	SRU 10 Outline Dimension	13
Figure 3-4	SA 3 / SA 2L Schematic and Pinout	17
Figure 3-5	SA 3NVG Schematic and Pinout	18
Figure 3-6	SA 15 Schematic and Pinout	19
Figure 3-7	SA 24 Schematic and Pinout	20
Figure 3-8	SR 34 and SR 64 Schematic and Pinout	21
Figure 3-9	SR 54 Schematic and Pinout	22
Figure 3-10	SR 263 Schematic and Pinout	23
Figure 3-11	SR 343 Schematic and Pinout	24
Figure 3-12	SR 623 Schematic and Pinout	25
Figure 3-13	SA 3 / SA 3L Adjustment Locations	26
Figure 3-14	SA 3NVG Adjustment Locations	26

Section 1 General Description

1.1 Introduction

This manual describes the installation of the SANDIA aerospace MARC70 line of interface modules. It is intended for use by FAA certified repair stations to install the MARC70 modules. It includes both the mechanical and electrical installation information for all MARC70 components, including the individual modules and enclosures. Where applicable, alignment and checkout procedures are included. In many instances, such as with switching relays, the checkout procedure will be performed as part of the major system installation check out and no specific check out procedure is provided for in this manual. In any case, the installer should insure that all functions are operating according to their intended purpose in their particular installation.

1.1.1 Interface Modules

All interface modules have the same mechanical dimensions and are inserted into the card enclosures in the same manner. An identification tag accompanies each interface module which should be attached to the card enclosure directly above the interface module to identify it. Each interface module connectors, except the SR 34, SR 54 and SR 64, is keyed to prevent the inadvertent installation of the connector into the wrong module. Keying of the module has been accomplished at the factory by the removal of one of the pins on the module's connector. The installing agency MUST insert a keying plug into the appropriate pin location on the harness connector to complete the keying process.

Each MARC70 interface module is FAA-PMA approved and has been tested to meet the requirements necessary to allow it to be mounted outside the aircraft's pressure vessel. Each interface module has passed the vibration requirements for helicopter installations. See section 1-2 for complete technical specification on each of the MARC70 modules.

1.1.2 Card Enclosures

Several different card enclosures are available depending on the application and installation space available. If an enclosure is not filled, the unused card slots are covered with blank panels. These extra card slots can be used in future installations or system upgrades, eliminating the need to re-engineer the mechanical installation. Interface modules are secured to the enclosures with captive stainless steel screws. In installations where the enclosure is difficult to reach, the harness connector can be attached first then the module inserted into the appropriate card slot and secured with the captive hold down screws.

1.1.3 SRU-1

The SRU 1 is a single card enclosure which accepts any MARC70 interface module. The SRU 1 is ideally suited for installations where only one MARC70 card is required or where there is limited real estate for mounting the larger enclosures. The SRU 1 can be mounted in any axis and either inside or outside the pressure vessel.

1.1.4 SRU 5



The SRU 5 is a multi-card enclosure that accepts up to five MARC70 interface modules. The SRU 5 can be mounted either inside or outside the pressure vessel. When less than five interface modules are used with the SRU 5, cover plates are placed over the unused card slots. If additional cards are required at a later date, the cover plates can be removed and the appropriate interface card installed. When installing the SRU 5 ample room should be allowed for both connector clearance and for inserting and removing the interface modules. The SRU 5 as well as the interface modules can be mounted in any axis.

1.1.5 SRU 10

The SRU 10 is multi-card enclosure that accepts up to ten MARC70 interface modules. It is ideally suited for installations that will require more than five interface modules. As with the SRU 5, unused slots are covered with cover plates included in the installation kit. These extra slots can be used on future installations, eliminating the need for additional mechanical engineering and approval. The SRU 10 can be installed either inside or outside the aircraft's pressure vessel. For installation flexibility, the SRU 10 and the installed interface modules can be mounted in any axis. Ample room should be allowed for both the connector and for inserting and removing the interface modules.

1.2 TECHNICAL CHARACTERISTICS

The conditions and tests performed for FAA-PMA approval of these articles are minimum performance standards. It is the responsibility of the installing agency to determine that the aircraft operating conditions are within these FAA-PMA parameters.

1.2.1 Physical Characteristics

Unit	Part Number	Width	Height	Depth	Weight
SA 3	305005-01	3.92 in.	3.5 in.	.82 in.	.20 lb
SA 3L	305005-02	3.92 in.	3.5 in.	.82 in.	.20 lb
SA 3NVG	306070-00	3.92 in.	3.5 in.	.82 in.	.29 lb
SA 15	305004-01	3.92 in.	3.5 in.	.82 in.	.15 lb
SA 24	305003-01	3.92 in.	3.5 in.	.82 in.	.18 lb
SR 34	305501-00	3.92 in.	3.5 in.	.82 in.	.19 lb
SR 54	305498-00	3.92 in.	3.5 in.	.82 in.	.26 lb
SR 64	305499-00	3.92 in.	3.5 in.	.82 in.	.25 lb
SR 263	305001-01	3.92 in.	3.5 in.	.82 in.	.16 lb
SR343	305000-01	3.92 in.	3.5 in.	.82 in.	.18 lb
SR 623	305002-01	3.92 in.	3.5 in.	.82 in.	.24 lb
SRU 1	305146-00	5.2 in.	1.0 in.	3.9 in.*	.37 lb
SRU 1-01	305146-01	5.2 in.	1.0 in.	3.9 in. *	.37 lb
SRU 5	305018-00	5.4 in.	4.0 in.	3.65 in. *	.80 lb
SRU 10	305014-00	9.55 in.	4.0 in.	3.65 in. *	1.32 lb

* With Module Installed

1.2.2 Operational Characteristics

Unit	Part Number	Operating Temp	Altitude	Voltage	Current Req.
SA 3	305005-01	-55 ^o to +70 ^o C	70,000 Ft.	28Vdc	
SA 3L	305005-02	-55 ^o to +70 ^o C	70,000 Ft.	28Vdc	
SA 3NVG	306070-00	-55 ^o to +70 ^o C	35,000 Ft.	28Vdc	
SA 15	305004-01	-55 ^o to +70 ^o C	70,000 Ft.	N/A	N/A
SA 24	305003-01	-55 ^o to +70 ^o C	70,000 Ft.	N/A	.003Amp
SR 34	305501-00	-20 ^o to +55 ^o C	50,000 Ft.	28Vdc	60mA
SR 54	305498-00	-20 ^o to +55 ^o C	50,000 Ft.	28Vdc	120mA
SR 64	305499-00	-20 ^o to +55 ^o C	50,000 Ft.	28Vdc	120mA
SR 263	305001-01	-55 ^o to +70 ^o C	70,000 Ft.	28Vdc	150mA
SR 343	305000-01	-55 ^o to +70 ^o C	70,000 Ft.	28Vdc	220mA
SR 623	305002-01	-55 ^o to +70 ^o C	70,000 Ft.	28Vdc	250mA
SRU 1	305146-00	-55 ^o to +70 ^o C	70,000 Ft.	N/A	N/A
SRU 5	305018-00	-55 ^o to +70 ^o C	70,000 Ft.	N/A	N/A
SRU 5-01	305018-01	-55 ^o to +70 ^o C	70,000 Ft.	N/A	N/A
SRU 10	305014-00	-55 ^o to +70 ^o C	70,000 Ft.	N/A	N/A

1.2.3 Certification

Unit	Part Number	PMA	STC	Aircraft
SA 3	305005-01	Yes Yes*	ST09475SC ST3007WI-T	Embraer EMB120 Cessna Citation 650
SA 3L	305005-02	No		
SA 3NVG	306070-00	Pending	Pending	Eurocopter BK-117-C2
SA 15	305004-01	Pending		
SA 24	305003-01	Yes**	ST09475SC	Embraer EMB120
SR 34	305501-00	Pending		
SR 54	305498-00	Pending		
SR 64	305499-00	Pending		
SR 263	305001-01	Yes	ST00318DE-D	Learjet 55
SR 343	305000-01	Yes	ST00318DE-D	Learjet 55
SR 623	305002-01	Yes	ST3007WI-T	Cessna Citation 650
SRU 1	305146-00	Yes*/**	ST09475SC	Embraer EMB 120
SRU 5	305018-00	Yes	ST3007WI-T	Cessna Citation 650
SRU 5-01	305018-01			Eurocopter BK-117-C2
SRU 10	305014-00			

* SA3 PMA'd with SRU1 as SAS 1-3

** SA 24 PMA'd with SRU 1 as SAS 1-24

NOMENCLATURE: MARC70 RELAY, DIODE ISOLATOR, INVERTER AND REGULATOR UNIT

TYPE/MODEL/PART NO: MARC70/SA3, SA15, SA54, SR263, SR343, SR623

TSO NUMBER: DO160Env. Cat.E1-BBA[(SBL09U)]XXXXXXXXZZAZZULXXX

MANUFACTURER'S SPECIFICATION AND/OR OTHER APPLICABLE SPECIFICATIONS:

MARC70 INSTALLATION MANUAL 305147-00

ENVIRONMENTAL TEST PLAN SR343, SR263, SR623, SA24, SA15, SA3 Doc # MK700020

MANUFACTURER: SANDIA AEROSPACE

ADDRESS: 3700 OSUNA RD NE, STE 711, ALBUQUERQUE, NM 87109

REVISION & CHANGE NUMBER OF DO-160: REV D. DATED JULY 27, 1997

CONDITION	SECTION	DESCRIPTION OF TESTS CONDUCTED
Temperature and Altitude	4.0	Equipment tested to category E1
Low Temperature	4.5.1	Tested to +70°C Operating High Temperature Tested to +85°C Ground Survival
High Temperature	4.5.2 & 4.5.3	
In-flight Loss of Cooling	4.54	Test not Applicable
Altitude	4.6.1	70,000 feet
Decompression	4.6.2	Test not Applicable
Overpressure	4.6.3	Test not Applicable
Temperature Variation	5.0	Tested to Category B
Humidity	6.0	Tested to Category B
Operational Shock and Crash Safety	7.0	Tested to Category A, Aircraft Type 5. Random Orientation
Vibration	8.0	Tested to Category S, Aircraft Zone 2 using vibration curves B and M. Tested to Category U, Helicopter Zone 2 using vibration curves F and F1.
Explosion	9.0	Equipment identified as Category X, no test performed
Waterproofness	10.0	Tested to Category X, no test performed
Fluids Susceptibility	11.0	Equipment identified as Category X, no test performed
Sand and Dust	12.0	Equipment identified as Category X, no test performed
Fungus	13.0	Equipment identified as Category X, no test performed
Salt Spray	14.0	Equipment identified as Category X, no test performed
Magnetic Effect	15.0	Equipment is Category Z
Power Input	16.0	Tested to Category Z
Voltage Spike	17.0	Tested to Category A
Audio Frequency Susceptibility	18.0	Tested to Category Z
Induced Signal Susceptibility	19.0	Tested to Category Z
Radio Frequency Susceptibility	20.0	Tested to Category U
Radio Frequency Emission	21.0	Tested to Category L
Lightning Induced Transient Susceptibility	22.0	Tested to Category X, no test performed
Lightning Direct Effects	23.00	Equipment identified as Category X, no test performed
Icing	24.0	Equipment identified as Category X, no test performed
Electrostatic Discharge	25.0	Equipment identified as Category X, no test performed

SA 3, SA 15, SA 24, SR263, SR 343, SR 623
Environmental Qualification Form

NOMENCLATURE: MARC70 RELAY

TYPE/MODEL/PART NO: MARC70/SR34, SR54, SR64

TSO NUMBER: DO160Env. Cat.[A1D1]-CA9MN0XXXXXXZBABATZXXX

MANUFACTURER'S SPECIFICATION AND/OR OTHER APPLICABLE SPECIFICATIONS:

MARC70 INSTALLATION MANUAL 305147-00

MANUFACTURER: SANDIA AEROSPACE

ADDRESS: 3700 OSUNA RD NE, STE 711, ALBUQUERQUE, NM 87109

REVISION & CHANGE NUMBER OF DO-160: REV D. DATED JULY 27, 1997

CONDITION	SECTION	DESCRIPTION OF TESTS CONDUCTED
Temperature and Altitude	4.0	Equipment tested to category A1 & D1
Low Temperature	4.5.1	Tested to -20 ^o C Operating Low Temperature
High Temperature	4.5.2 & 4.5.3	Tested to -55 ^o C Ground Survival
In-flight Loss of Cooling	4.54	Tested to +70 ^o C Operating High Temperature
Altitude	4.6.1	Tested to +85 ^o C Ground Survival
Decompression	4.6.2	Test not Applicable
Overpressure	4.6.3	50,000 feet
Temperature Variation	5.0	50,000 feet
Humidity	6.0	-15,000 feet
Operational Shock and Crash Safety	7.0	Tested to Category C
Vibration	8.0	Tested to Category A
Explosion	9.0	Operational to Para. 7.2.1 Crash safety to Para. 7.3.1 (impulse)
Waterproofness	10.0	Tested to Category M & N
Fluids Susceptibility	11.0	Equipment identified as Category X, no test performed
Sand and Dust	12.0	Equipment identified as Category X, no test performed
Fungus	13.0	Equipment identified as Category X, no test performed
Salt Spray	14.0	Equipment identified as Category X, no test performed
Magnetic Effect	15.0	Equipment is Category Z
Power Input	16.0	Tested to Category B
Voltage Spike	17.0	Tested to Category A
Audio Frequency Susceptibility	18.0	Tested to Category B
Induced Signal Susceptibility	19.0	Tested to Category A
Radio Frequency Susceptibility	20.0	Tested to Category T
Radio Frequency Emission	21.0	Tested to Category Z
Lightning Induced Transient Susceptibility	22.0	Tested to Category X, no test performed
Lightning Direct Effects	23.00	Equipment identified as Category X, no test performed
Icing	24.0	Equipment identified as Category X, no test performed

SR 34, SR 54, SR 64
Environmental Qualification Form

NOMENCLATURE: SA 3 NVG DIMMER W?PLATE SRU5

TYPE/MODEL/PART NO: SA 3 NVG / 306070-[XX]

SRU 5 NVG / 305018-[XX]

TSO NUMBER: DO160Env. Cat. [C2X]BBA[(SBM)(UG)]XXXXXXXXZZAZ[ZC][SS]LXXXXX

MANUFACTURER'S SPECIFICATION AND/OR OTHER APPLICABLE SPECIFICATIONS:

MARC70 INSTALLATION MANUAL 305147-00

ENVIRONMENTAL TEST PLAN: 901073-QTP, QTP, SA 3 NVG DIMMER

MANUFACTURER: SANDIA AEROSPACE

ADDRESS: 3700 OSUNA RD NE, STE 711, ALBUQUERQUE, NM 87109

CONDITION	SECTION	DESCRIPTION OF TESTS CONDUCTED
Temperature and Altitude	4.0	Equipment tested to category C2
Low Temperature	4.5.1	-55 ^o C Ground Survival / -55 ^o Short -55 ^o Operating
	4.5.2	
High Temperature	4.5.3	+85 ^o C Ground Survival / + 70 ^o Short +70 ^o C Operating High Temperature
	4.5.4	
In-flight Loss of Cooling	4.5.5	Not Applicable
Altitude	4.6.1	35,000 feet
Decompression	4.6.2	N/A
Overpressure	4.6.3	N/A
Temperature Variation	5.0	Tested to Category B
Humidity	6.0	Tested to Category B
Operational Shock and Crash Safety	7.0	Tested to Category A
Vibration	8.0	Tested to Category S Curves B and M Tested to Category U, Curve G
Explosion	9.0	Equipment identified as Category X, no test performed
Waterproofness	10.0	Tested to Category X, no test performed
Fluids Susceptibility	11.0	Equipment identified as Category X, no test performed
Sand and Dust	12.0	Equipment identified as Category X, no test performed
Fungus	13.0	Equipment identified as Category X, no test performed
Salt Spray	14.0	Equipment identified as Category X, no test performed
Magnetic Effect	15.0	Equipment is Category Z
Power Input	16.0	Tested to Category Z
Voltage Spike	17.0	Tested to Category A
Audio Frequency Susceptibility	18.0	Tested to Category Z
Induced Signal Susceptibility	19.0	Tested to Category [ZC]
Radio Frequency Susceptibility	20.0	Tested to Category S
Radio Frequency Emission	21.0	Tested to Category L
Lightning Induced Transient Susceptibility	22.0	Tested to Category X, no test performed
Lightning Direct Effects	23.0	Equipment identified as Category X, no test performed
Icing	24.0	Equipment identified as Category X, no test performed
Electrostatic Discharge	25.0	Equipment identified as Category X, no test performed
Fire, Flammability	26.0	Equipment identified as Category X, no test performed

SA 3 NVG

Environmental Qualification Form

Section 2 Installation

2.1 Introduction

The MARC70 family of enclosures and interface modules has been designed to simplify and standardize installation of avionics systems. SANDIA aerospace supplies each mounting enclosure and interface module separately. The installer can mix and match the modules in the enclosures to meet specific requirements. Except for the SR 34, SR 54 and SR 64, each of the module's connectors is keyed to prevent inadvertently attaching the wrong connector. It is important that the installer insert the supplied plug in the proper location in the mating connector for the keying to be complete.

2.2 Mounting Considerations

The MARC70 family of interface modules and their associated mounting enclosures can be mounted in any attitude and either inside or outside the pressure vessel. Each card is installed in the desired mounting enclosure by inserting it into a vacant location and securing it with the two stainless steel fasteners attached to the modules front plate. The interface modules can only be inserted and secured in one direction. While the modules are relatively easy to install and remove in the enclosures, considerations should be given to service access. At least six inches of clearance should be provided at the front of the enclosures for removal and reinsertion of MARC70 modules. It is also recommended that enough cable be supplied so that the interface modules can be inserted and removed with the cable harness and connector attached to the module. This will aid in any calibration that may be required and will also simplify attaching the connector to the interface module.

2.3 Cooling

Cooling for the MARC70 is not required. However if several higher current modules, such as annunciator drivers are installed, adequate space should be allowed for convection cooling. The SA 3NVG must be mounted in the right most slot of the SRU-5-01, PN 305018-01 and secured with two screws supplied with the unit.

Section 3 Installation Procedures

3.1 General

Each MARC70 module is supplied with a mating connector, crimp style pins and an identification tag. The identification tag is to be placed on the top of the enclosure directly over the slot in which the module is installed. The enclosures are supplied with enough blank plates and screws to cover any unused slots. Extra blank plates and screws can be discarded or retained in case a module is ever removed.

3.2 Mounting Instructions

The SRU 1 is attached to an aircraft structure by using four #10-32 screws as shown in the outline drawing.

3.2.1 SRU 1 Outline Dimensions

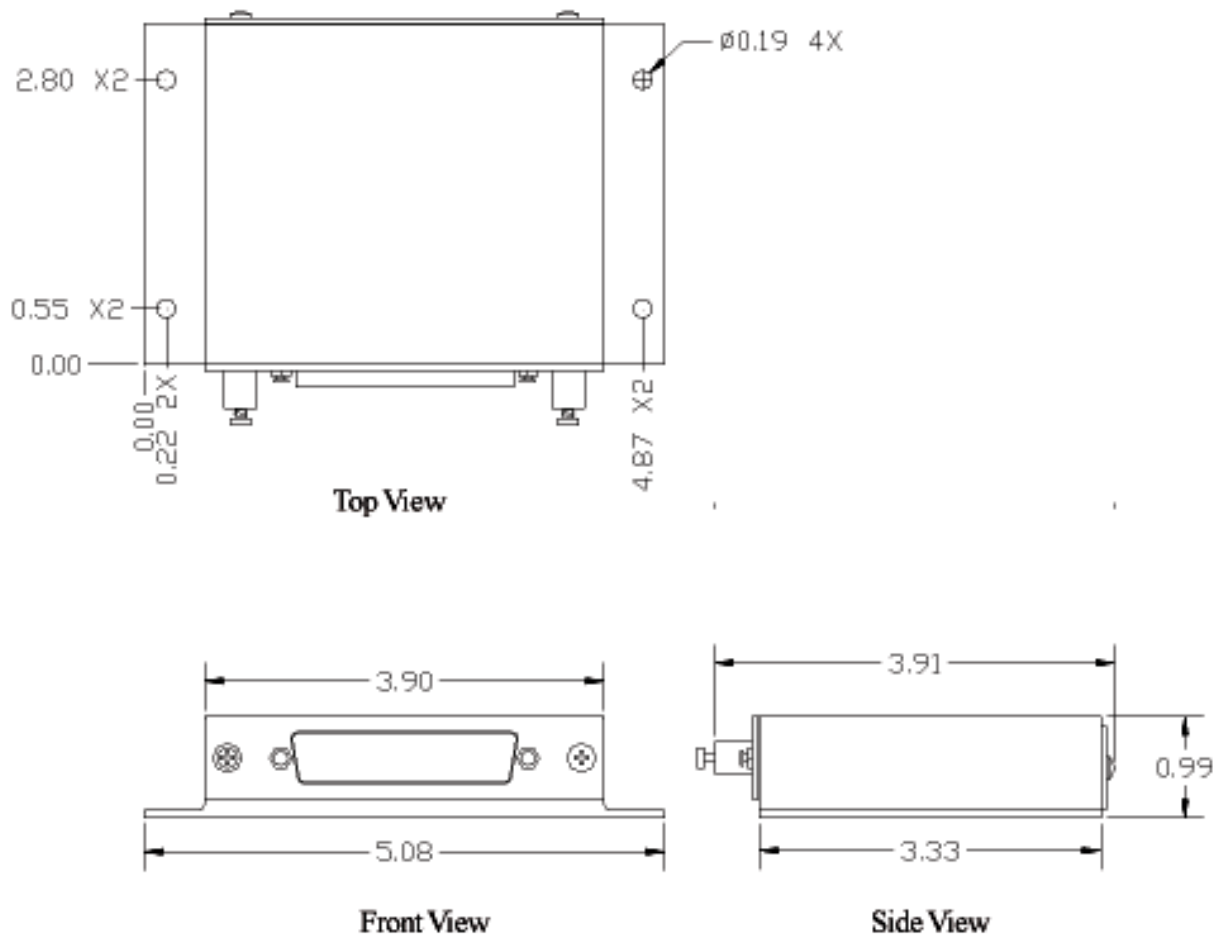


Figure 3-1
SRU 1 Outline Dimensions

3.2.2 SRU 5 Mounting Instructions

The SRU 5 is attached to an aircraft structure by using four #10-32 screws as shown in the outline drawing.

3.2.2.1 SRU 5 & SRU 5-01 Outline Dimensions

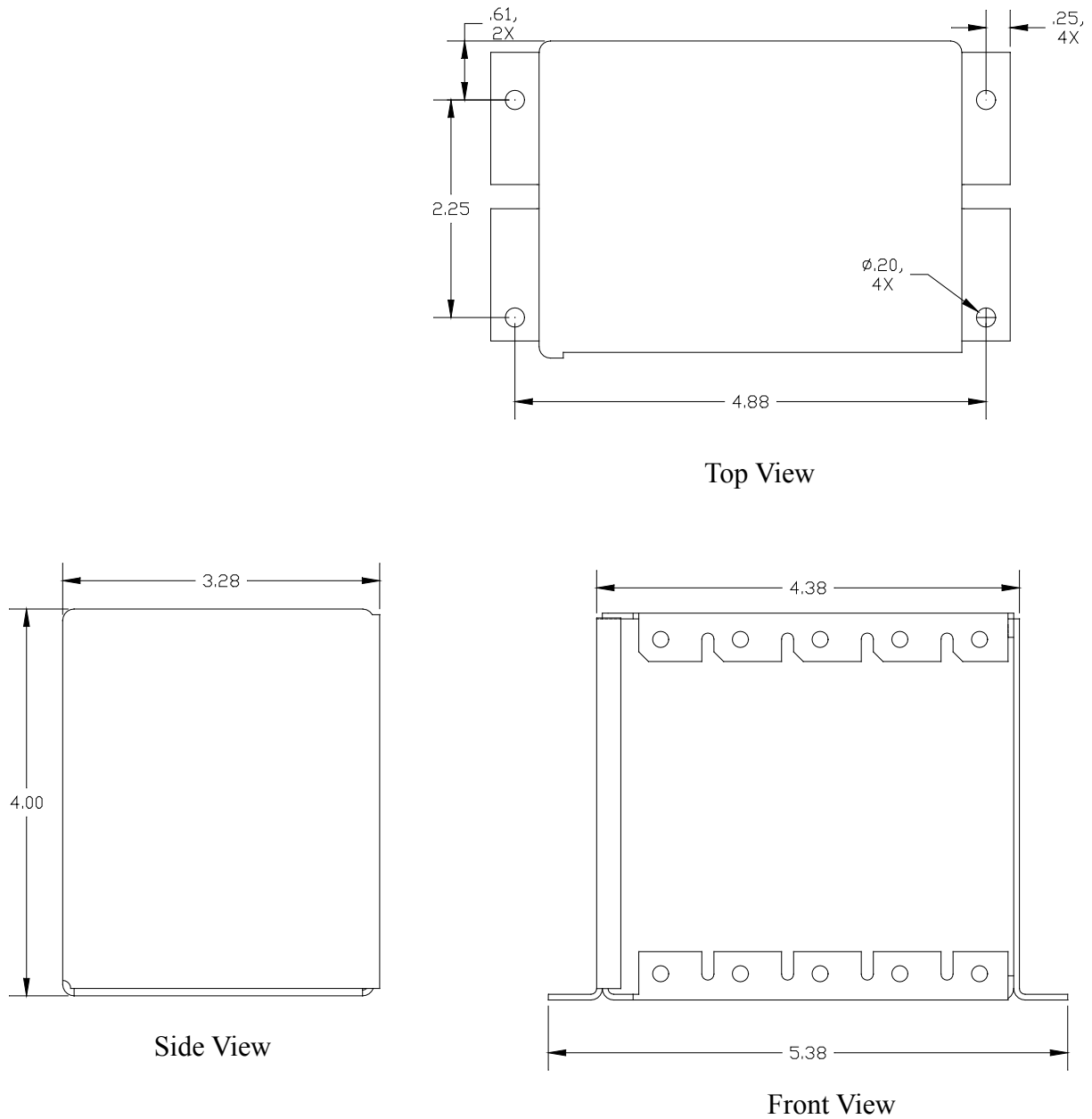


Figure 3-2
SRU 5 & SRU 5-01 Outline Dimensions

3.2.3 SRU 10 Mounting Instructions

The SRU 10 is attached to an aircraft structure by using four #10-32 screws as shown in the outline drawing.

3.2.3.1 SRU 10 Outline Dimensions

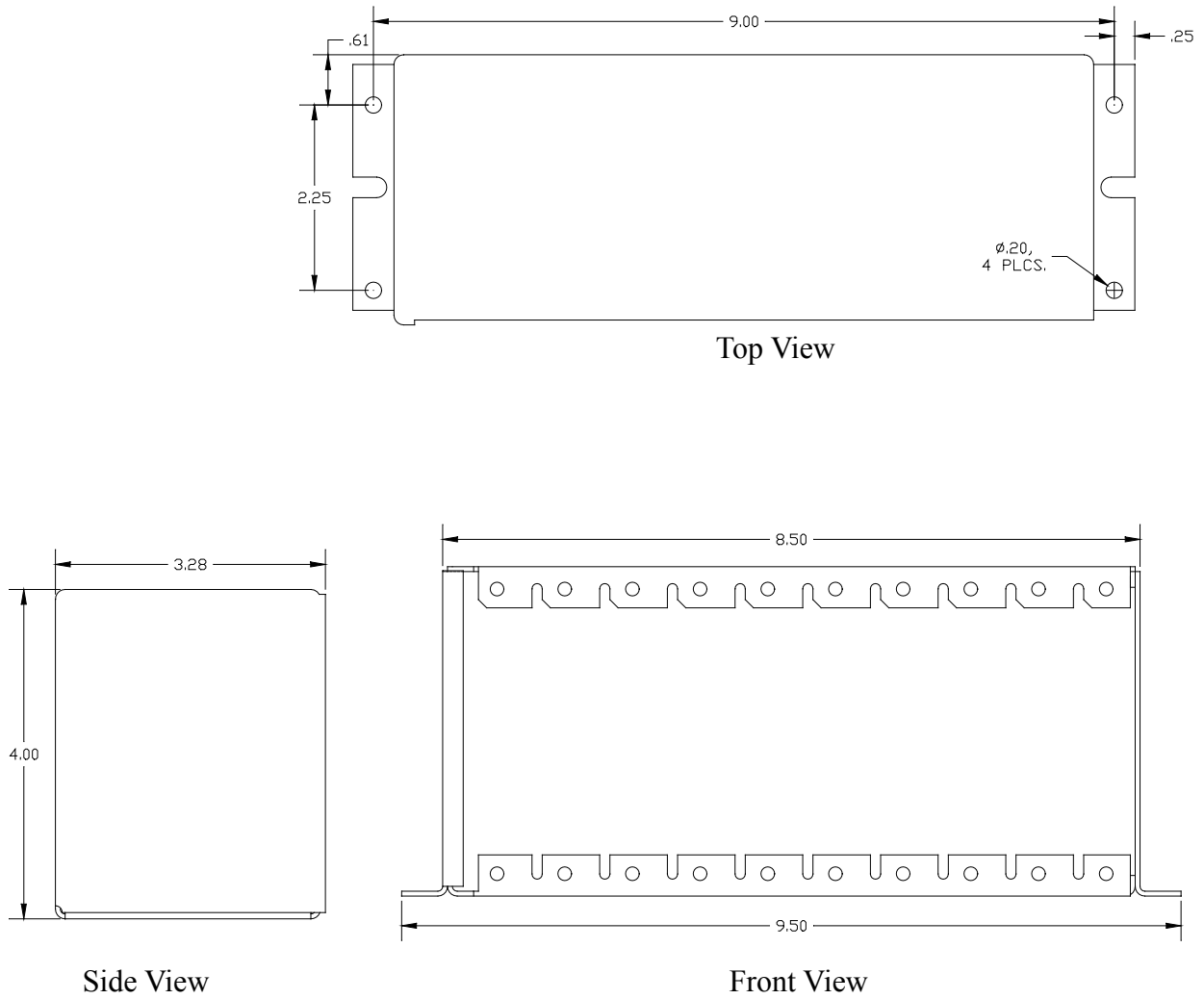


Figure 3-3
SRU 10 Outline Dimensions

3.3 Interconnect Wiring

3.3.1 SA 3 & SA 3L Regulator/ Dimming Modules

The SA 3 & 3L Regulator/ Dimming Modules provide a source of power to drive up to .5 amps of continuous current for aircraft annunciators. The SA 3 & 3L will provide 1 amp short term for testing of annunciators. Aircraft power is supplied to 7 pins for installation flexibility. Two adjustments allow setting the High and Low intensity of the annunciators to match existing aircraft annunciators.

Pin 2 on the SA 3 & 3L is the keying pin and has been removed at the factory. A plug which is supplied with the installation kit must be inserted into Pin 2 of the mating connector.

The SA 3 is for use with incandescent lamps while the SA 3L is for use with LED Lamps.

See figure 3-4 for a schematic and pinout of the SA 3 & 3L

3.3.2 SA 3 NVG Regulator/ Dimming Module

The SA 3NVG Regulator/ Dimming Module provide a source of power to drive up to .5 amps of continuous current for aircraft annunciators. The SA 3NVG will provide 1 amp short term for testing of annunciators. Aircraft power is supplied to 7 pins for installation flexibility. Three adjustments allow setting the High, Low and NVG intensity of the annunciators. A ground is applied to Pin 4 of the connector J1 to put the SA 3NVG in the NVG mode. A ground on J1 Pin 3 puts the output in Dim (night) mode and with both J1 Pins 3 and 4 open the output is in the Bright (day) mode.

The SA 3NVG must be mounted in the right most slot of to the SRU 5-01 Sandia P/N 305018-01 and secured with two 1/2 inch 4-40 screws supplied with the unit. The SRU 5 acts as a heat sink and should not be mounted near flammable substances.

Pin 2 on the SA 3NVG is the keying pin and has been removed at the factory. A plug which is supplied with the installation kit must be inserted into Pin 2 of the mating connector.

3.3.3 SA 15 Inverter Module

The SA 15 module allows equipment with +5Vdc or +28Vdc lamp outputs to drive panel annunciator lamps that require grounded inputs. The SA 15 inverts up to 14 high level lamp-driver inputs providing independent low outputs for each line. The 14 inverters are arranged in two banks of 7 inverters for installation flexibility. A single line on each inverter bank allows simultaneous testing of all 7 outputs. The inverters may also be cascaded, providing consistent drive polarity and simplifying press to test wiring of panel annunciators.

Pin 36 on the SA 15 is the keying pin and has been removed at the factory. A plug which is supplied with the installation kit must be inserted into Pin 36 of the mating connector.

See figure 3-5 for a schematic and pinout of the SA 15

3.3.4 SA 24 Diode Isolation/Test Module

The SA 24 provides 23 lines of diode isolation. The SA 24 also provides a test input for testing annunciators. The test input can be either a high or a low. Pin 48 on the SA 24 is the keying pin and has been removed at the factory. A plug which is supplied with the installation kit must be inserted into Pin 48 of the mating connector.

3.3.5 SR 34 12 Pole Switching Module

The SR 34 provides 12 poles of switching through three, hermetically sealed, bifurcated relays. The relays contacts are gold plated and have a 2 amp resistive load rating at 28 VDC. Coil current is 60 mA. Both the SR 34 and SR 64 use the same circuit card. Each relay is independently switched through their appropriate coil pins.

See figure 3-7 for a schematic and pinout of the SR 34

3.3.6 SR 54 20 Pole Switching Module

The SR 54 provides 20 poles of switching through five, hermetically sealed, bifurcated relays. The SR 54 has a built in circuit that switches all relays to their de-energized condition whenever K6 is activated. This can be used for such applications as insuring LOC is present on the HSI whenever a LOC signal is selected. The relays contacts are gold plated and have a 2 amp resistive load rating at 28 VDC. Coil current is 120 mA.

See figure 3-8 for a schematic and pinout of the SR 54

3.3.7 SR 64 24 Pole Switching Module

The SR 64 provides 24 poles of switching through six, hermetically sealed, bifurcated relays. The relays contacts are gold plated and have a 2 amp resistive load rating at 28 VDC. Coil current is 120 mA. K1, K2, K3 and K4 are switched simultaneously through coil pins, 71 and 72. K5 and K6 are independently switched through their coil pins.

See figure 3-7 for a schematic and pinout of the SR 64

CAUTION

Since all pins on the SR 34, SR 54 and SR 64 are used for switching functions, there is NO KEYING PIN. Cautions must be taken when reattaching the connector to insure that it is going to the correct device. Failure to do so may result in board damage.

3.3.8 SR 263 12 Pole Switching Module

The SR 263 provides 12 poles of switching through two MIL Qualified, hermetically sealed, and nitrogen filled relays. The relays contacts are gold plated hardened silver alloy with a 2 amp resistive load capacity at 28Vdc. Coil power is 2.6 watts max. at 25 degrees C.

Each relay can be activated independently by supplying the switching logic to their coil through pins 38 & 40 for K1 and 43 & 44 for K2. Or they can be switched as a pair by supplying the switching logic to pins 39 & 45.

Pin 46 on the SR 263 is the keying pin and has been removed at the factory. A plug which is supplied with the installation kit must be inserted into Pin 46 of the mating connector.

See figure 3-9 for a schematic and pinout of the SR 263

3.3.9 SR 343 12 Pole Switching Module

The SR 343 provides 12 poles of relay switching through 3 MIL Qualified, hermetically sealed, and nitrogen filled relays. The relays contacts are gold plated hardened silver alloy with a 2 amp resistive load capacity at 28Vdc. Each of the three relays can be activated independently by supplying switching logic to their coils through pins 38 & 40 for K1, pins 43 & 44 for K2 and pins 48 & 49 for K3. They can also be switched as group by supplying the switching logic to pins 39 & 45.

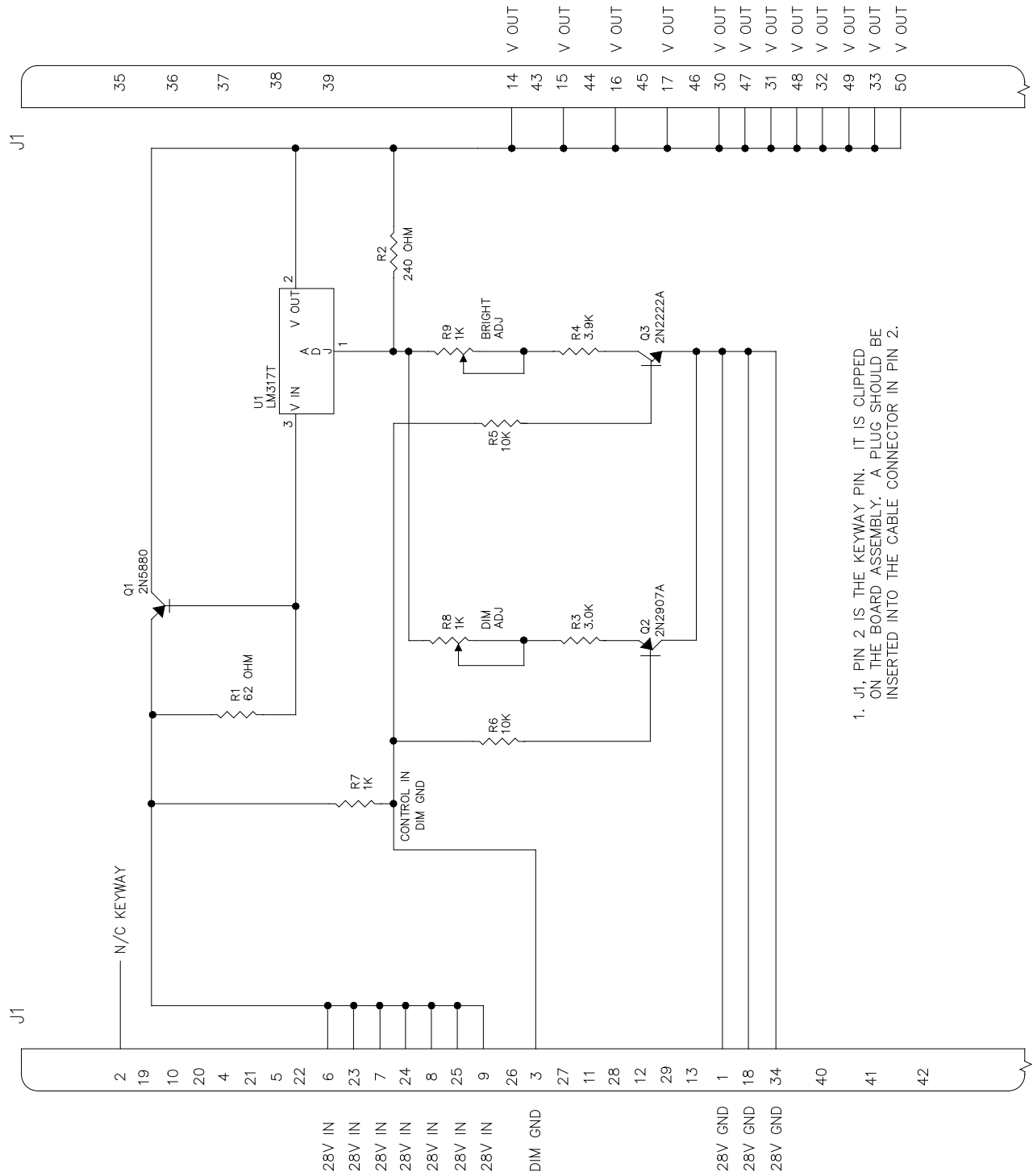
Pin 42 on the SR 343 is the keying pin and has been removed at the factory. A plug which is supplied with the installation kit must be inserted into Pin 42 of the mating connector.

See figure 3-10 for a schematic and pinout of the SR 343

3.3.10 SR 623 12 Pole Switching Module

The SR 623 provides 12 poles of switching through 6 MIL Qualified, hermetically sealed, and nitrogen filled relays. The relays contacts are gold plated hardened silver alloy with a 2 amp resistive load capacity at 28Vdc. Each of the 6 relays are switched independently or can be switched in any combination by supplying common switching logic to their respective coils.

Pin 39 on the SR 623 is the keying pin and has been removed at the factory. A plug which is supplied with the installation kit must be inserted into Pin 39 of the mating connector.



1. J1, PIN 2 IS THE KEYWAY PIN. IT IS CLIPPED ON THE BOARD ASSEMBLY. A PLUG SHOULD BE INSERTED INTO THE CABLE CONNECTOR IN PIN 2.

Figure 3-4
SA 3/SA 3L Schematic and Pinout

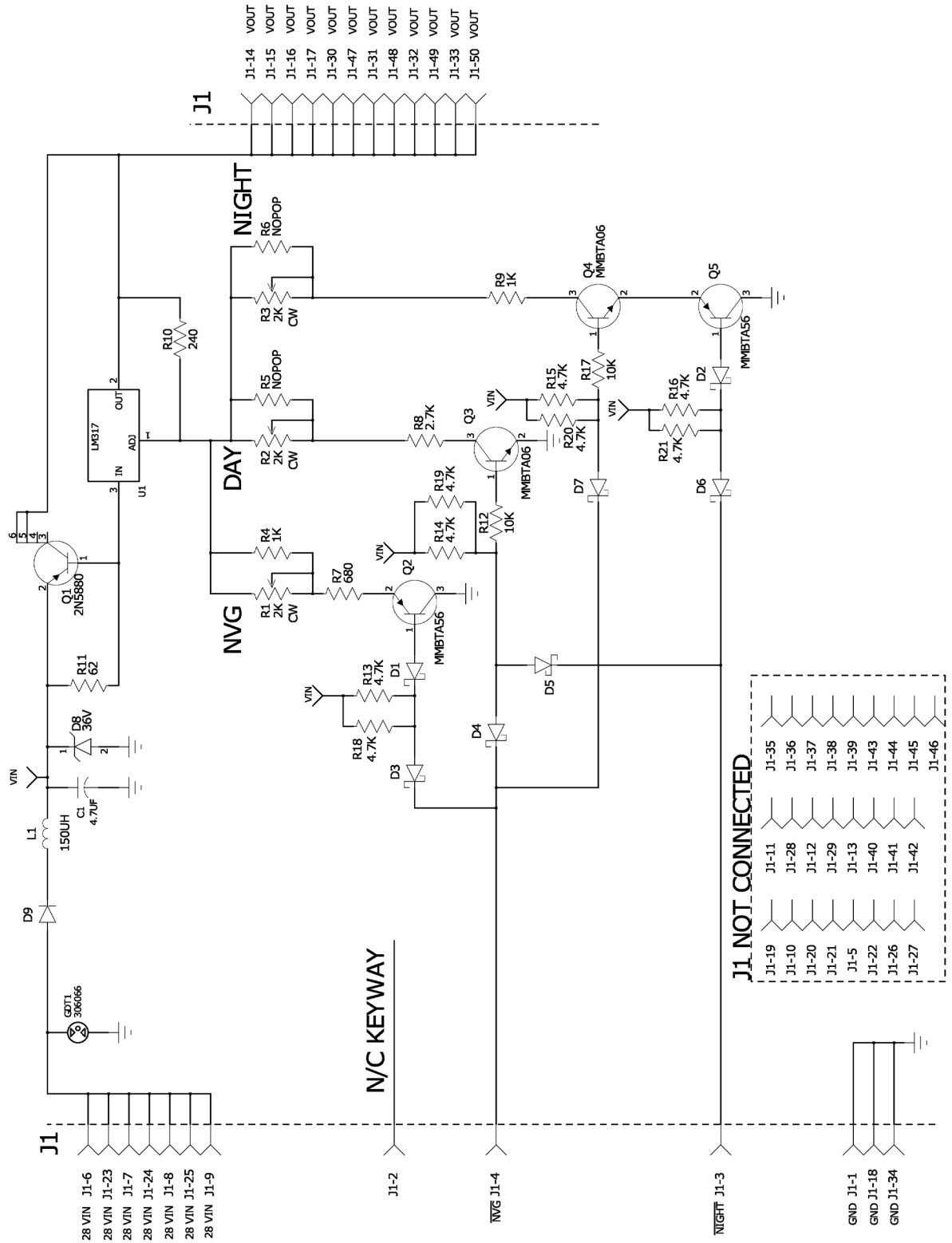


Figure 3-5
SA 3 NVG Schematic and Pinout

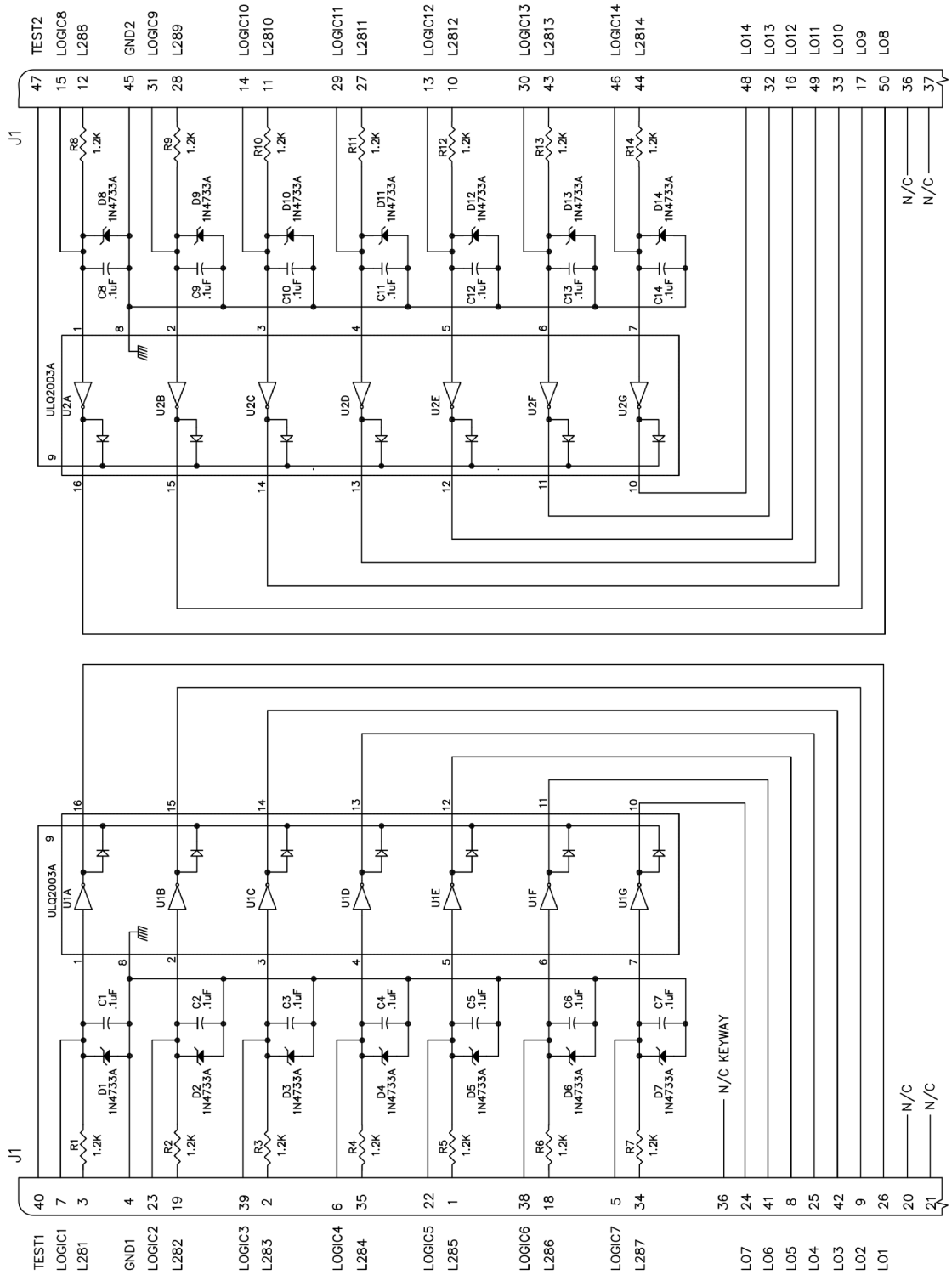


Figure 3-6
SA 15 Inverter Module-Rev A

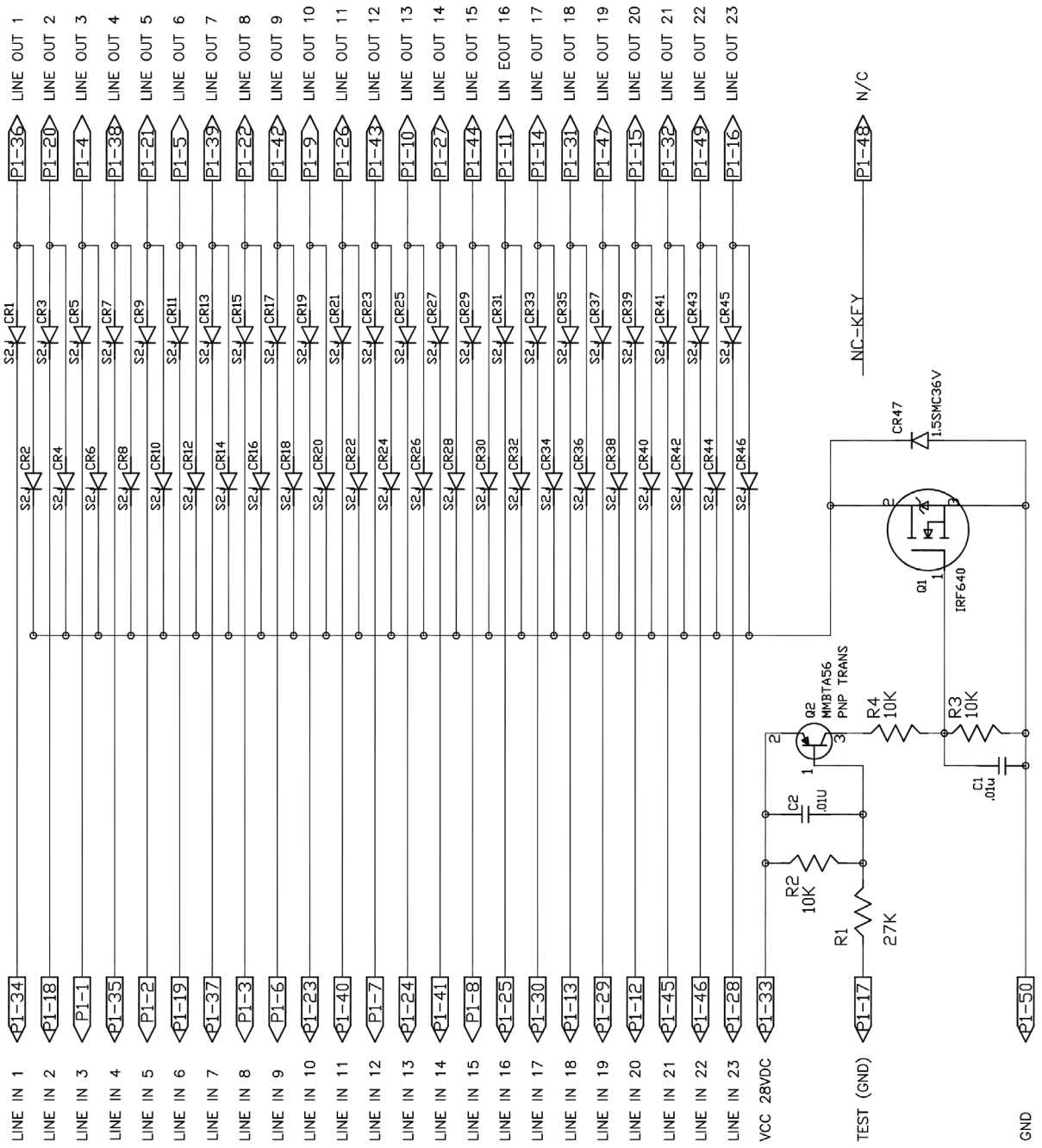


Figure 3-7
SA 24 Diode Isolation/Test Module

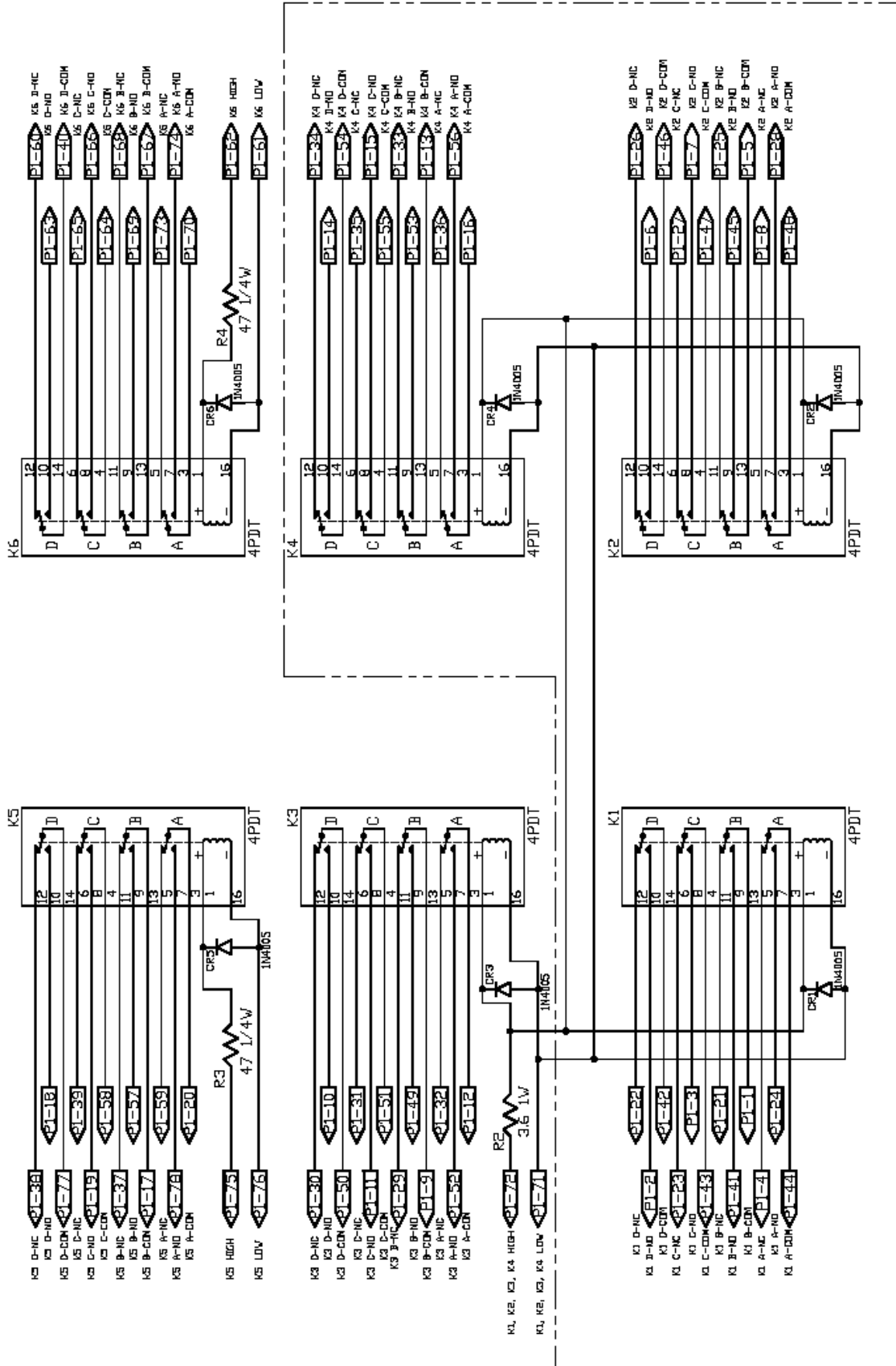


Figure 3-8
SR 34, 12 Pole and SR 64, 24 Pole Switching Modules

Note : K1, K2, and K4 not populated on SR 34

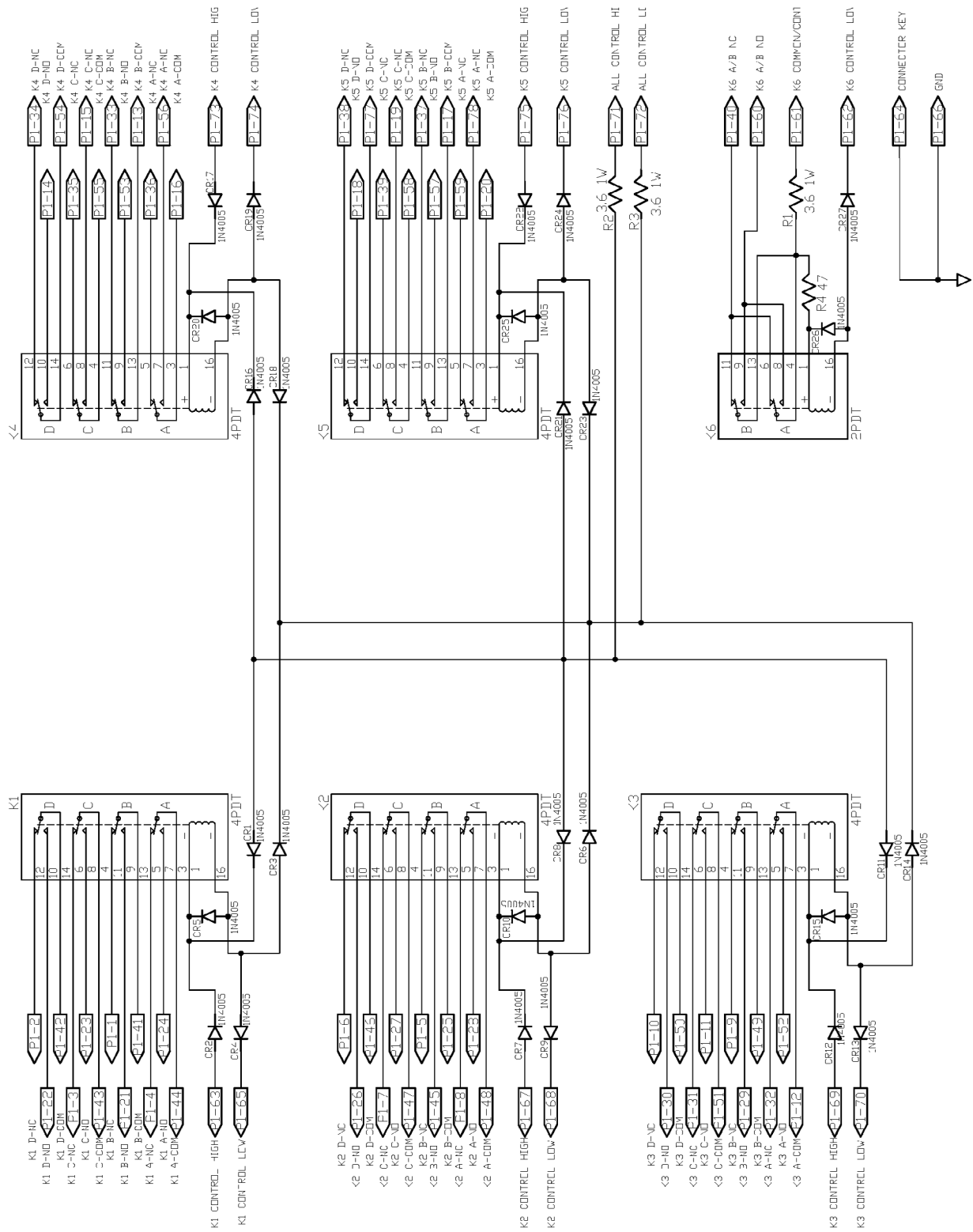


Figure 3-9
SR 54, 20 Pole Switching Module

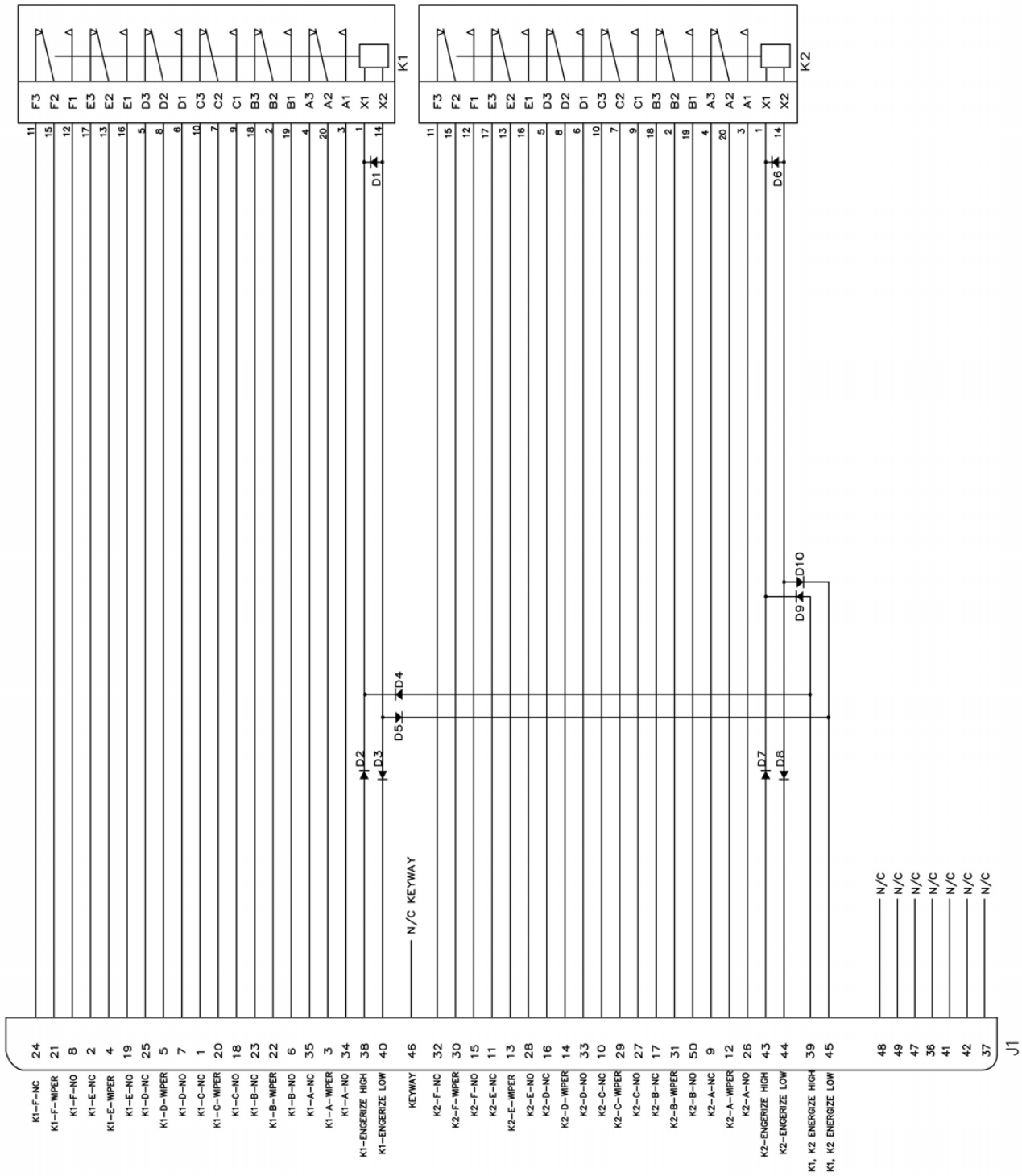


Figure 3-10
SR 263, 12 Pole Switching Module - Rev A1

K1-D-N.C.
 K1-D-WIPER
 K1-D-N.O.
 K1-C-N.C.
 K1-C-WIPER
 K1-C-N.O.
 K1-B-N.C.
 K1-B-WIPER
 K1-B-N.O.
 K1-A-N.C.
 K1-A-WIPER
 K1-A-N.O.
 K1-KEY HIGH
 K1-KEY LOW
 K1, K2, K3-GANGED KEY HIGH
 K1, K2, K3-GANGED KEY LOW

K2-D-N.C.
 K2-D-WIPER
 K2-D-N.O.
 K2-C-N.C.
 K2-C-WIPER
 K2-C-N.O.
 K2-B-N.C.
 K2-B-WIPER
 K2-B-N.O.
 K2-A-N.C.
 K2-A-WIPER
 K2-A-N.O.
 K2-KEY HIGH
 K2-KEY LOW

KEYWAY

K3-D-N.C.
 K3-D-WIPER
 K3-D-N.O.
 K3-C-N.C.
 K3-C-WIPER
 K3-C-N.O.
 K3-B-N.C.
 K3-B-WIPER
 K3-B-N.O.
 K3-A-N.C.
 K3-A-WIPER
 K3-A-N.O.
 K3-KEY HIGH
 K3-KEY LOW

N/C
 N/C
 N/C
 N/C
 N/C
 N/C

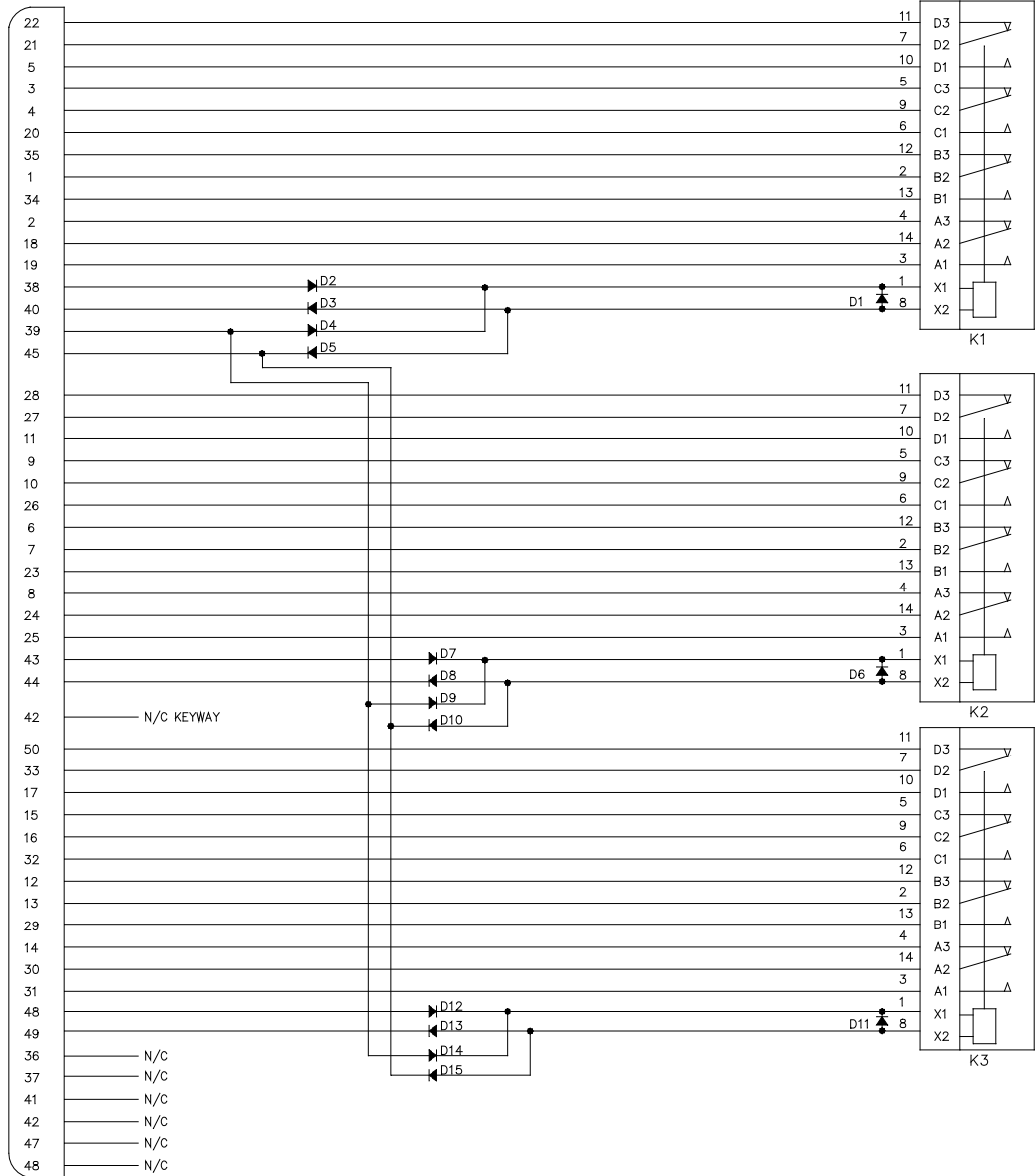


Figure 3-11
SR 343, 12 Pole Switching Module

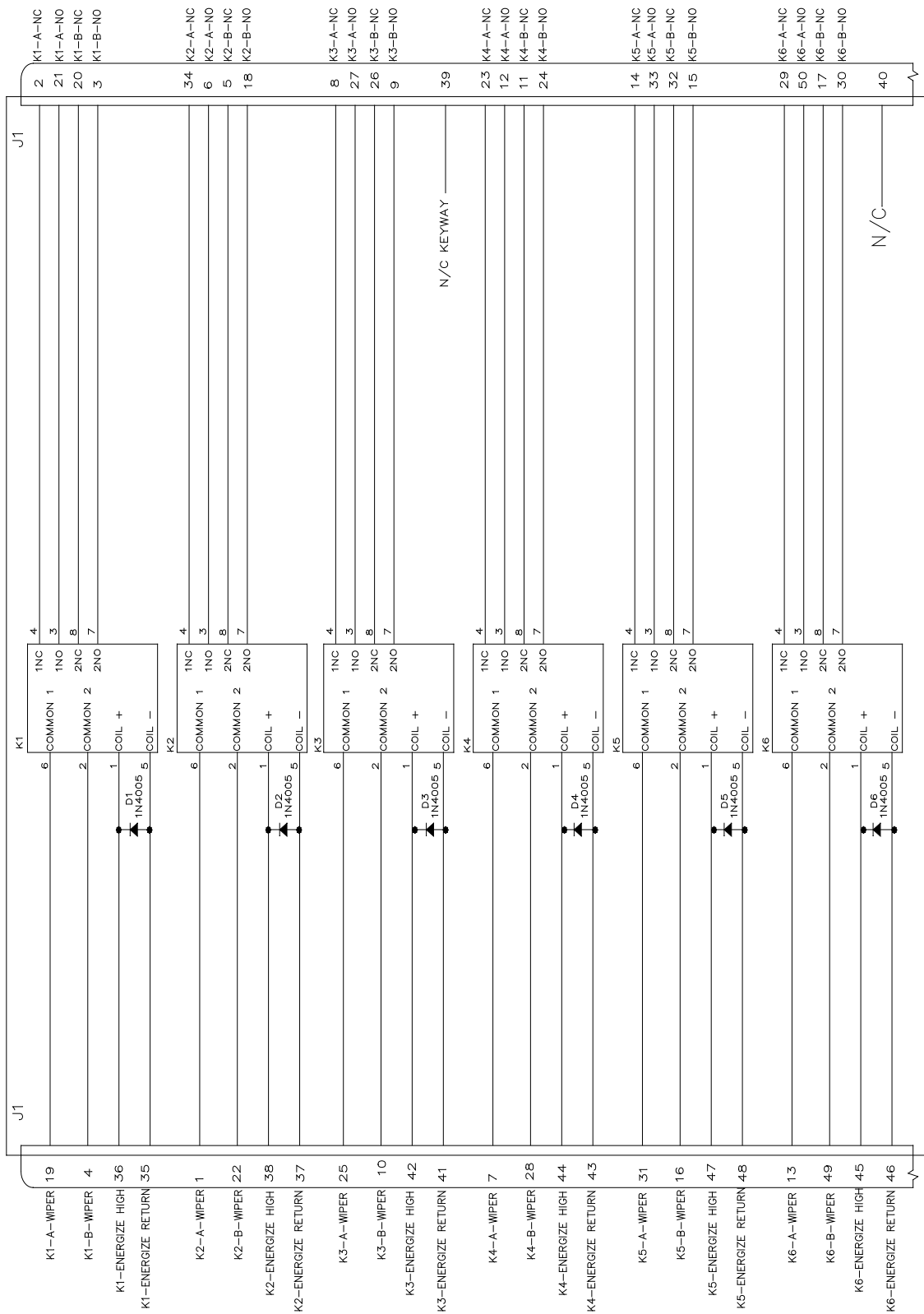


Figure 3-12
SR 623, 12 Switching Module

3.4 Calibration Procedures

3.4.1 SA 3

1. With the SA 3/SA3 3L removed from the enclosure, connect the mating connector.
2. Apply power to the SA 3/SA3 3L by activating the system which is being annunciated by the SA 3/SA3 3L.
- 3.. With the annunciator dimming switch in the bright position, adjust R9 to the desired brightness.
4. Place the annunciator dimming switch in the dim or low position, and adjust R8 to the desired brightness.
5. Press the annunciator test button and ensure that all annunciators illuminate to their maximum adjusted brightness.

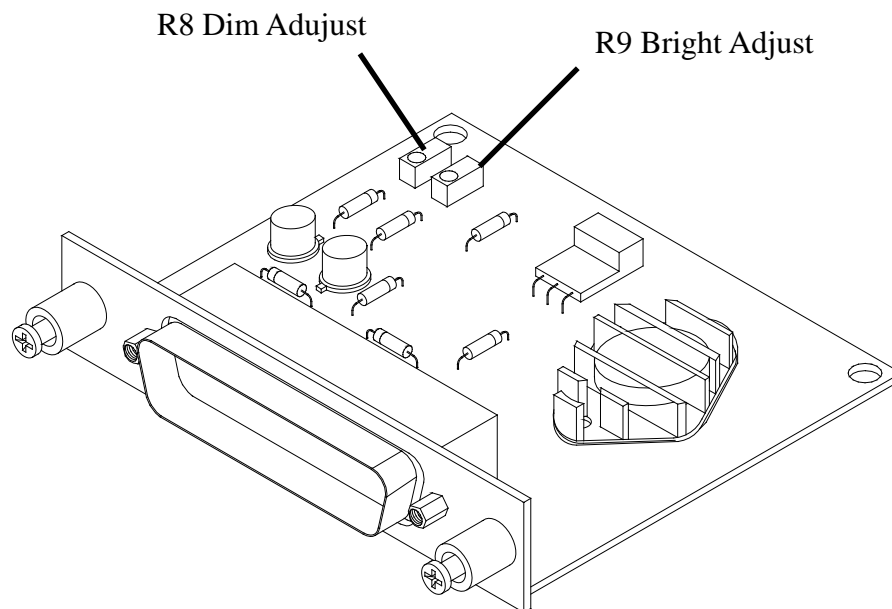


Figure 3-13
SA 3 / SA 3L Adjustment Locations

3.4 Calibration Procedures con't

3.4.2 SA 3NVG

1. With the SA 3NVG removed from the enclosure, connect the mating connector.
2. Apply power to the SA 3NVG by activating the system which is being annunciated by the SA 3NVG.
- 3.. With the annunciator dimming switch in the Day (Bright) bright position, set the DAY adjustment to the desired brightness.
4. Place the annunciator dimming switch in the Night (dim), and set the NIGHT to the desired brightness.
5. Place the annunciator dinning switch in the NVG and set the NVG adjustment to the desired NVG setting.
6. Press the annunciator test button and ensure that all annunciators illuminate to their maximum adjusted brightness.

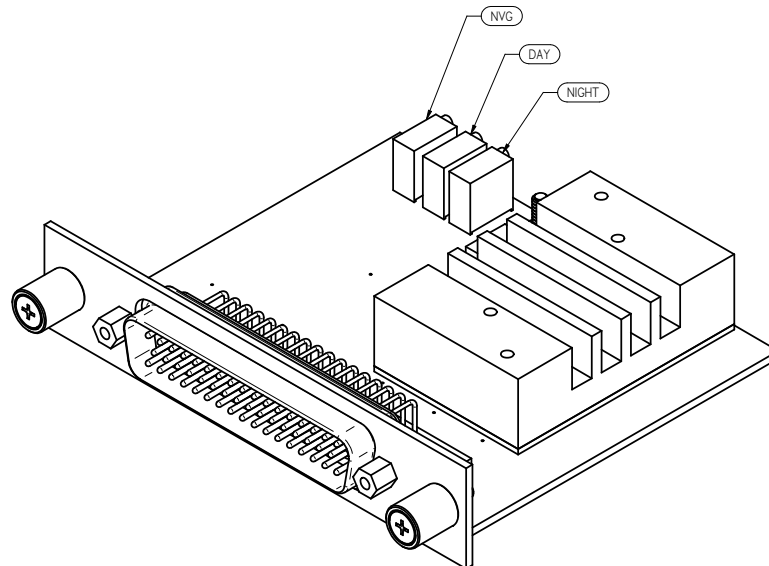


Figure 3-14
SA 3NVG Adjustment Locations

3.5 Continued Airworthiness

Maintenance of all MARC70 products contained in this manual is on condition only. No scheduled maintenance is required.