

Configuration	Dash #	Assy, Toplevel
-3, -4	9017989-3	
-5	9017989-5	
-5L	9017989-5L	
-6	9017989-6	
-6L	9017989-6L	
-8, -9	9017989-8	

Calibration table for MD11-3,-4, -6, -6L

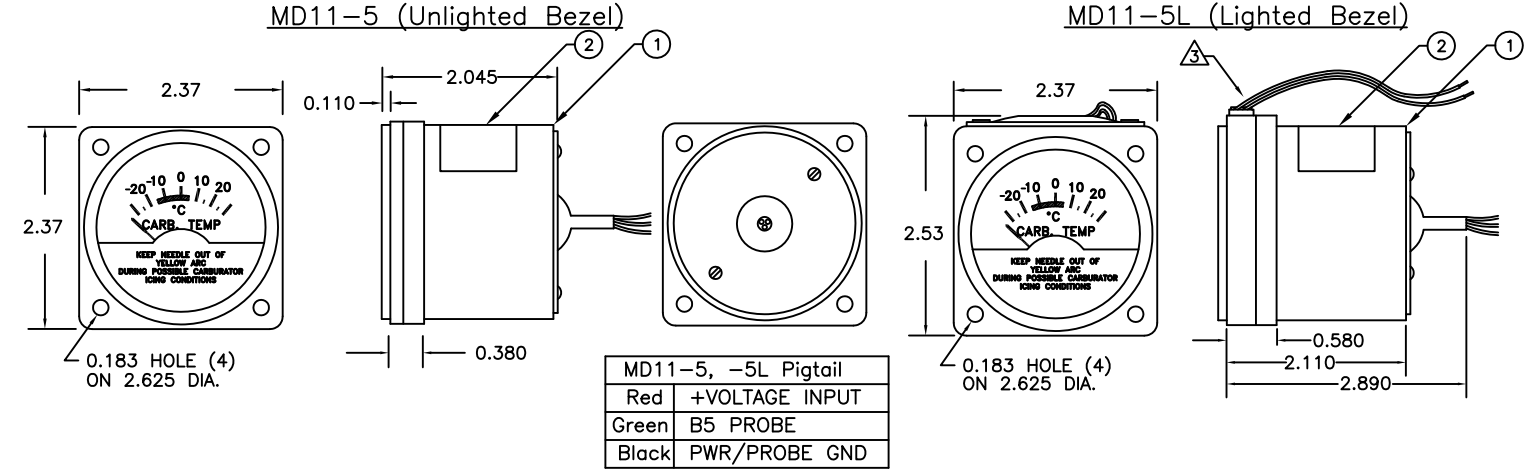
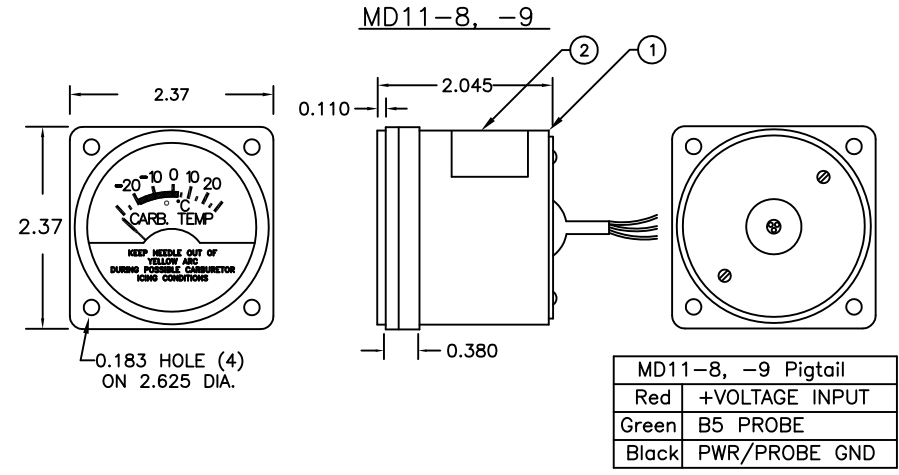
SCALE READING	BULB RESISTANCE	TOL(°C)
-30°C	80.56 Ω	+4.0
-20°C	83.77 Ω	+3.0
-10°C	87.04 Ω	+3.0
0°C	90.38 Ω	+2.0
+10°C	93.80 Ω	+3.0
+20°C	97.31 Ω	+3.0
+30°C	100.91 Ω	+4.0

Calibration table for MD11-5,-5L,-8,-9

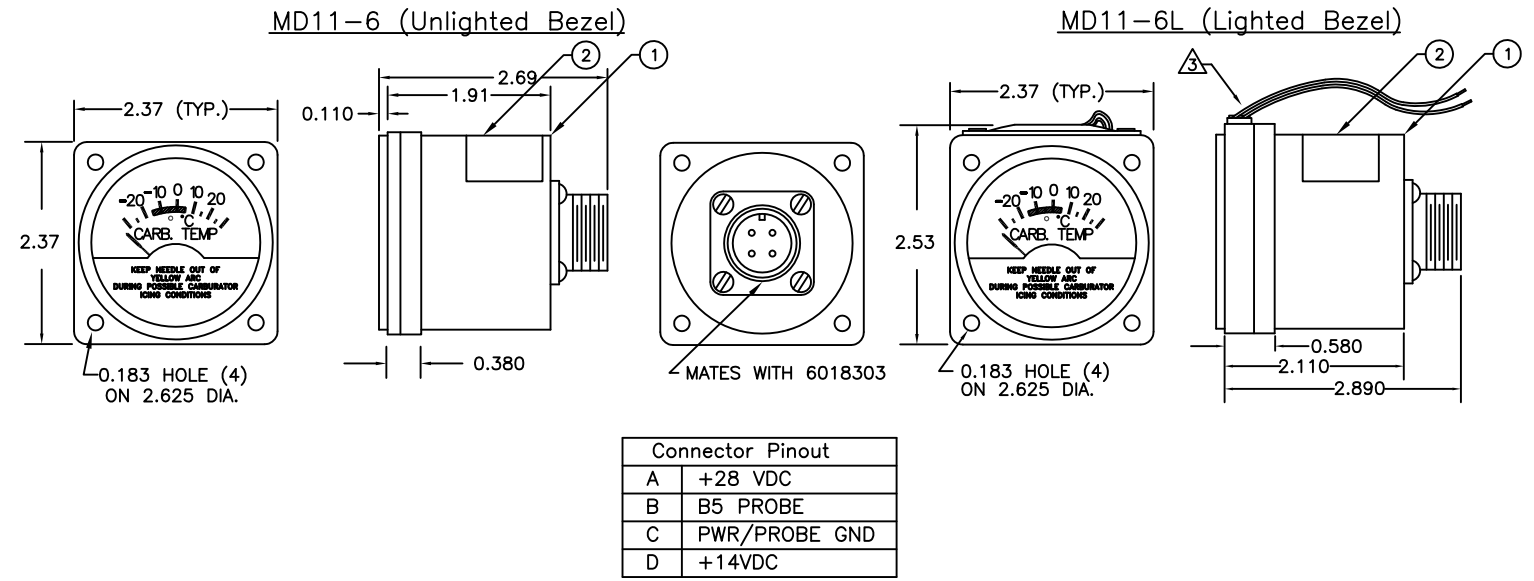
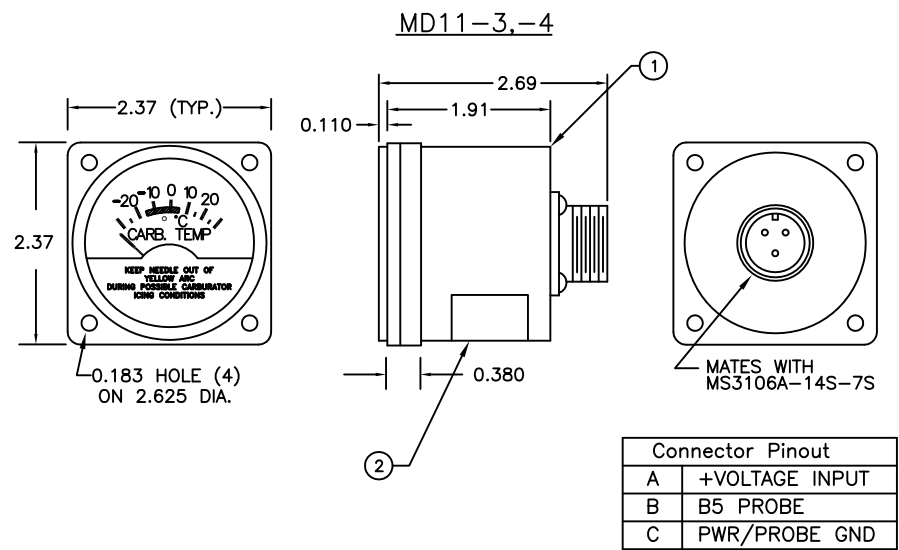
SCALE READING	BULB RESISTANCE	TOL(°C)
-30°C	77.40 Ω	±2.0
-20°C	81.73 Ω	±1.75
-10°C	86.05 Ω	±1.5
0°C	90.38 Ω	±1.0
+10°C	94.71 Ω	±1.5
+20°C	99.03 Ω	±1.75
+30°C	103.37 Ω	±2.0

Revisions			Date	Approved
ECO	Rev.	Description		
		See obsolete drawing for revision history.		
4876	E	Reformat calibration tables. Cust. P/N for MD11-8,-9 Note 5 was "C604-6/-3". Add Note 5 for MD11-3,-4 and MD11-5,-5L.	6/21/07	BAW/MCH
4932	F	Correct typo in calibration tables: -10° was entered twice, nameplate on -3, -4 was on top, change -6, -6L from RH to LH calibration table, re-organize notes.	11/1/07	ScH/MKN
6056	G	Add config. table & BOM, 2.37 was 2.44 for unlighted, update title block, move pigtail/pinouts from notes to tables, 9017989 was 7019938 & 8012502.	11/6/13	ScH/MKN

- Note:
- Case in accordance with MS 33638 (2 Inch)
 - Dial graduations & pointer are matte white, Bezel is dull black.
 - Light Tray (5V, 14V or 28V) per customer spec.
 - 5 Volt - P/N 6018634-2
 - 14 Volt - P/N 6015010-2
 - 28 Volt - P/N 6015358-2



- MD11-3, -4:
- For use with 0550209-1 Carb Air Temp bulb (Richter or MCI B-5)
 - Dial & pointer conform to CES-1206,
 - Range mark: 0.06 wide yellow arc: -15° TO +5°C UNDER white graduations.
 - MD11-3 is CES type S1311-3 (12vdc). MD11-4 is CES type S1311-4 (24vdc).
 - FAA-PMA approved. (PQ3738CE, Supplement #1)



- MD11-5, -5L:
- For use with MCI B-5 Carb Air Temp bulb.
 - Range mark: 0.06 wide yellow arc: -15° to +5°C OVER white graduations.
 - Calibration voltage 13.70.
 - MD11-5 Cust. P/N A604-1 (Robinson).
- MD11-6, -6L:
- For use with Richter or MCI B-5 Carb Air Temp bulb.
 - Range mark: 0.06 wide yellow arc: -15° to +5°C UNDER white graduations.
 - Dual voltage: 14 or 28 VDC.

- MD11-8, -9:
- For use with MCI B-5 Carb Air Temp bulb.
 - Range mark: 0.06 wide yellow arc: -19° to +3°C OVER white graduations.
 - MD11-8 CALIBRATION VOLTAGE 13.70. MD11-9 CALIBRATION VOLTAGE 27.4.
 - MD11-8 CUST. P/N C604-7 (ROBINSON). MD11-9 CUST. P/N C604-9 (ROBINSON).

Item	Qty	Part Number	Description
1	1	See config.	Assy, MD11
2	1	6017578	Nameplate

UNLESS OTHERWISE SPECIFIED, ALL DIMENSIONS ARE IN INCHES.
TOLERANCE:
.XX=±0.015
.XXX=±0.005
.XXXX=±0.002
ANGULAR=±0.5°
CONCENTRICITY: 0.005 TIR
BREAK ALL SHARP EDGES
THREADS PER MIL-S-7742

DRAWN: N. Kow 7/22/99
APPROVED: JBR 7/30/99

This document discloses proprietary information of Mid-Continent Instrument Co., Inc. It may be reproduced or disclosed only with written permission of Mid-Continent Instrument Co. and is not to be used in any way detrimental to the interests of Mid-Continent Instrument Co., Inc.

MidContinent
INSTRUMENTS+AVIONICS

TITLE: Carb. Air Temp. Gauge
PART NUMBER: MD11

SCALE: None DO NOT SCALE THIS DRAWING SHEET 1 of 1