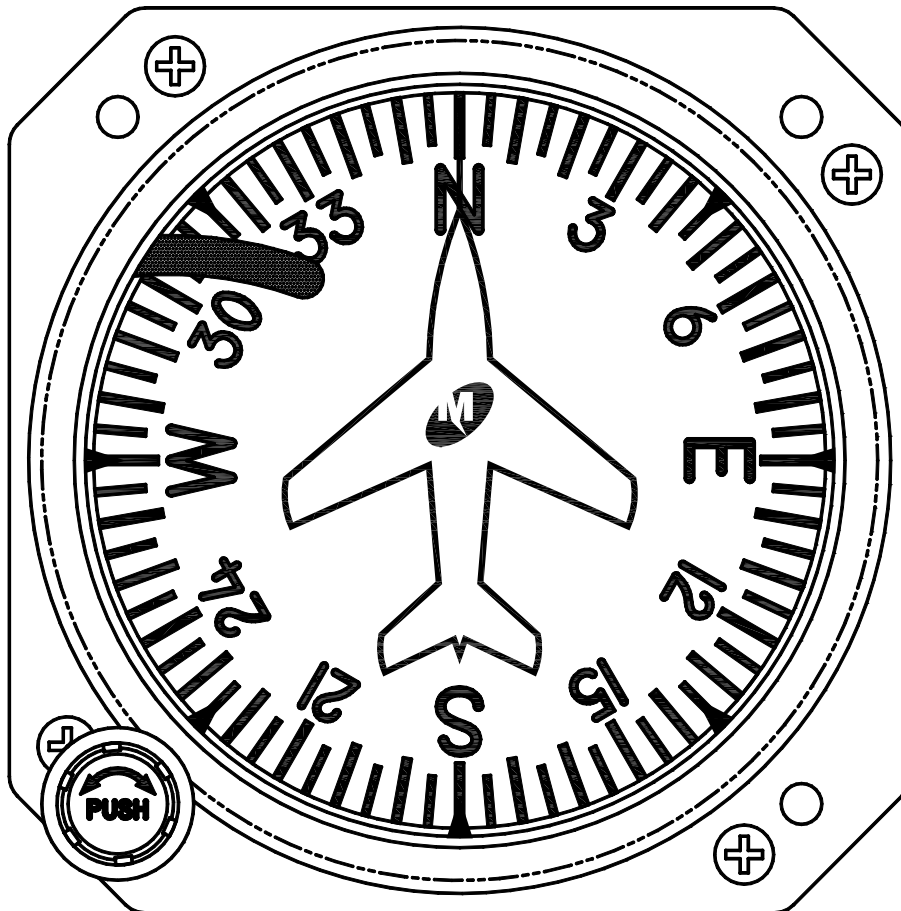




INSTALLATION MANUAL AND OPERATING INSTRUCTIONS

3300 Series Directional Gyro



Mid-Continent Instruments and Avionics
9400 E 34th Street N, Wichita, KS 67226 USA
Phone 316-630-0101 • Fax 316-630-0723

Manual Number 9016481
Rev C, December 6, 2007

FOREWORD

This manual provides information intended for use by persons who, in accordance with current regulatory requirements, are qualified to install this equipment. If further information is required, please contact:

Mid-Continent Instruments and Avionics
Attn: Customer Service Dept.
9400 E. 34th ST North
Wichita, KS 67226 USA
Phone 316-630-0101 Fax 316-630-0723

We welcome your comments concerning this manual. Although every effort has been made to keep it free of errors, some may occur. When reporting a specific problem, please describe it briefly and include the manual part number, the paragraph/figure/table number, and the page number. Send your comments to:

Mid-Continent Instruments and Avionics
Attn: Technical Publications
9400 E. 34th ST North
Wichita, KS 67226 USA
Phone 316-630-0101, Fax 316-630-0723
info1@mcico.com
www.mcico.com

© Copyright 2007
Mid-Continent Instruments and Avionics

Table of Contents

		Page
Section 1 General Description		5
1.1	Purpose of Equipment	5
1.2	Physical and Functional Description	5
1.3	Gyro Warning Flag	5
1.4	Specifications	5
Section 2 Installation		7
2.1	General	7
2.2	Pre-Installation Inspection	7
2.3	Parts	8
2.3.1	Included Parts	8
2.3.2	Installer Supplied Parts	8
2.4	Equipment Location	8
2.5	Installation	8
2.6	Continued Airworthiness	9
Section 3 Operation		11
3.1	General	11
3.2	Starting Procedures	11
3.3	In-Flight Procedures	11
3.4	Equipment Limitations	11
Figures		
1.1	Typical Directional Gyro Display Detail	6
2.1	Outline Drawing	10
2.2	Panel Cutout Dimensions	10
2.3	Voltage Control Switch Position	10
Tables		
1.1	Physical Characteristics	5
1.2	Performance	6
2.1	Connector Pin Callout	10
Appendices		
A	DO-160E Environmental Qualification Form	12

Revision Detail

<u>ECO</u>	<u>Rev.</u>	<u>Date</u>	<u>Detail</u>
	A	1/25/07	Initial Release.
4811	B	2/27/07	Correct Typo on Append A & Sec 1.4: Temp. Variation "S2" was "C2".
4943	C	11/29/07	Add comments for unit lighting in sections: 1.2, 1.3, 1.4, 2.5.B, 2.5.D, 2.5.G, 3.2.A. Change figure 2.1 and table 2.1. Add figure 2.3.

Section 1: General Description

1.1 Purpose of Equipment

The Model 3300 Directional Gyro (DG) is a gyroscopic directional indicator. This short-term directional reference is used in conjunction with a magnetic compass. The directional gyro excels in providing a direction indication during maneuvers when the magnetic compass develops errors.

1.2 Physical and Functional Description

The 3300 Directional Gyro incorporates a spinning mass rotor. This rotor is gimbaled so the rotor is free to move in all directions. The rotor, housed in the inner gimbal, incorporates an air erection mechanism to keep the rotor spin axis perpendicular to the outer gimbal for optimum performance. The outer gimbal is linked with a precision gear drive mechanism to the display dial. The dial has five-degree graduations with numerals every thirty degrees. Every ninety degrees is a cardinal reference letter (N, E, S, W). The display glass has a symbolic airplane for quick heading reference as well as index marks every 45 degrees. The Push To Cage knob brings the inner gimbal to level position, which is used primarily for startup. This Push To Cage knob is also used to set the heading to agree with the magnetic compass. When the rotor speed is too low for proper operation or if the unit is not receiving sufficient power, a warning flag drops into view. The directional gyro requires 10 to 32 VDC input voltage. The 3300-11 incorporates internal LEDs that operate on a user selectable 5V, 14V or 28V input from the aircraft lighting bus. For the 3300-11, in addition to the warning flag coming into view, the dial (numeral) lighting will also turn off to indicate invalid rotor speed or insufficient voltage. The symbolic airplane will remain lit as long as sufficient voltage is present.

1.3 Gyro Warning Flag

A power warning circuit monitors rotor speed as well as the input voltage. Valid rotor speed is determined as 70% of full speed and represents the minimum requirement for full functionality of the unit. If either rotor speed or input voltage is insufficient (less than 10VDC), the gyro warning flag comes into view. **For 3300-11 only:** In addition to the warning flag coming into view, the dial (numeral) lighting will also turn off to indicate invalid rotor speed or insufficient voltage. The symbolic airplane will remain lit as long as sufficient voltage is present.

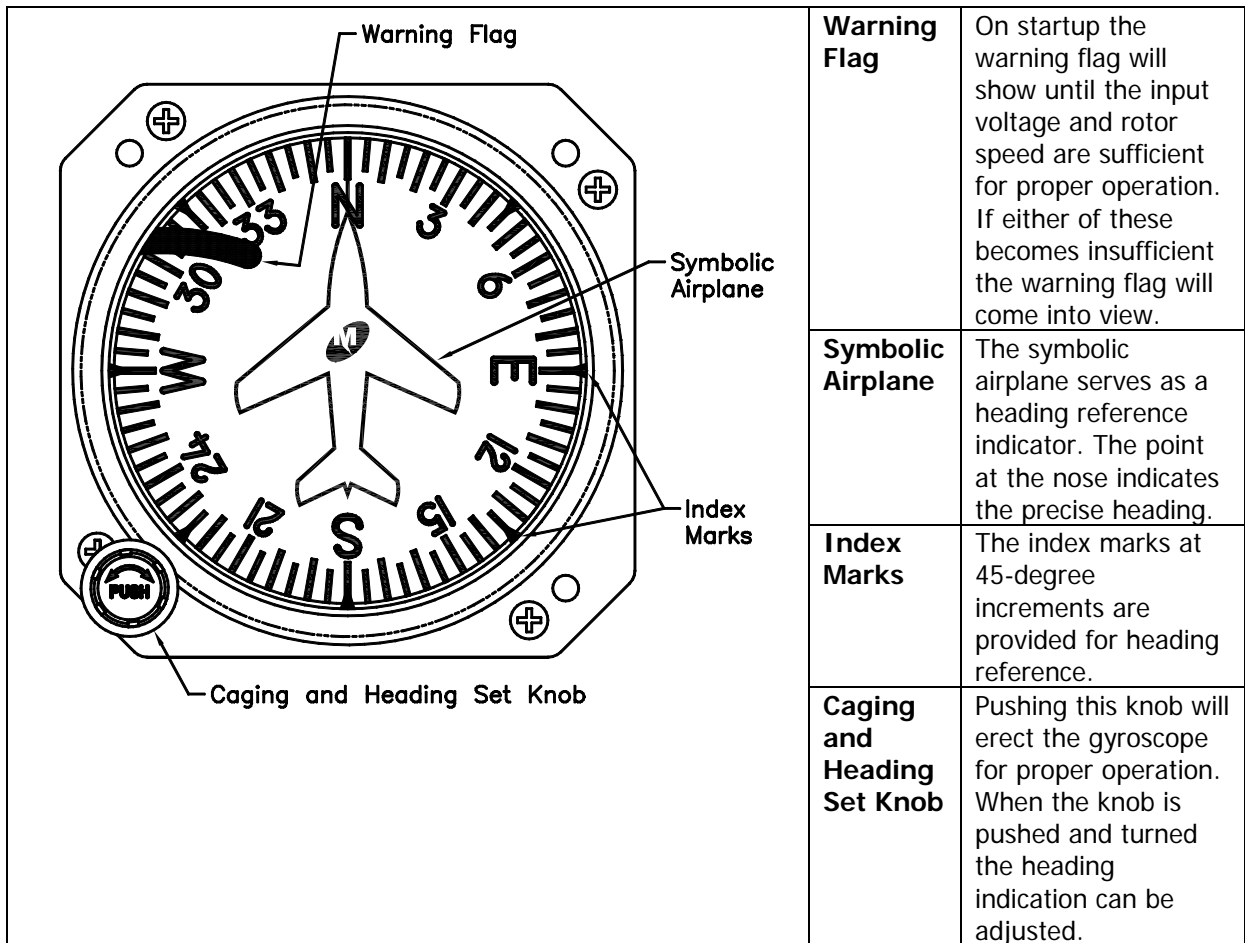
1.4 Specifications

Physical Characteristics:	
Qualification:	FAA TSO-C5e
Environmental Qualification:	RTCA DO-160E Environmental Category D1S2AER(B1)XXXXXXZZAZ[ZC][WW]M[A3C3X]XXAX
Weight:	3300-10: 1.9 lbs 3300-11: 2.0 lbs
Dimensions:	Length behind panel (not including connector) 4.65 inches long maximum. 3.28 inches high maximum. 3.28 inches wide maximum.
Mating Connector:	MS3116F8-4S or equivalent (MCI P/N 9015514)
Cover Glass	HEA (anti-reflective) coated
Instrument Mounting:	Rear panel mount

Table 1.1

Performance:	
Reliability	2500 Hour Mean Time Between Failure (MTBF)
Caging and Heading Set Knob	The "PUSH" knob will erect the gyroscope to case horizontal and engage the gear mechanism to set the heading position.
Drift Rate	When the gyro is mounted to a rotating scorsby test stand tilted to 3-degrees and set at 5 to 7 oscillations per minute the drift shall be less than 4° in 10 minutes.
Warning Flag	A gyro warning circuit provides for continuous monitoring of input voltage and rotor speed. If either of these is insufficient, the red warning flag will appear. In 3300-11, the dial lighting will turn off.
Operating Angle Limit	Heading: No Limit (360°) Pitch and Roll: 55° (all headings)
Lighting (3300-11 only)	Internal white LED with backlit dial. Lighting control voltage is user selectable for 5, 14 or 28VDC and has adjustable brightness.
Power Rating:	
Starting	Will not exceed 1.4A at 14 VDC. Will not exceed 0.6A at 28 VDC.
Running	0.37-0.51 at 14 VDC. 0.18-0.25 at 28 VDC.

Table 1.2



Typical Directional Gyro Display
Figure 1.1

Section 2: Installation

2.1 General

This section contains mounting, electrical connections and other information required for installation. After installation of cabling and before installation of the equipment, ensure that power is applied only to the pins specified in the Table 2.1 Connector Pin Callout.

The conditions and tests required for the TSO approval of this article are minimum performance standards. It is the responsibility of those installing this article either on or within a specific type or class of aircraft to determine that the aircraft installation conditions are within the TSO standards. TSO articles must have a separate approval installation in an aircraft. The article may be installed only if performed under 14 CFR Part 43 or the applicable airworthiness requirements.

CAUTION: GYROS ARE DELICATE INSTRUMENTS! THE FOLLOWING PRECAUTIONS MUST BE OBSERVED!!

- A. A high failure rate for gyroscopes can be directly related to rough or improper handling.
Gyros are delicate and cannot withstand the shock of being dropped, jarred, or struck by pieces of equipment. Do not place gyros on any hard surface. Pad with generous foam. Handle like eggs!
- B. To prevent damage to a gyro, the instrument should be transported to and from the aircraft in its original shipping container. If this is impractical, the gyro should be hand-carried carefully in an upright position.
- C. A gyro should never be removed while it is spinning or running down. The instrument normally operates at high RPM and may take 10 minutes or longer to run down. If it is removed while running and tilted more than 20 degrees, the gyro can develop a gimbal lock. The gimbal will tumble and start to spin. If gimbal lock occurs while the rotor is turning, the gimbal may spin fast enough to damage the gimbal bearings, requiring overhaul.
- D. A malfunctioning gyro should be handled with the same care given a new instrument. Most malfunctioning instruments can be repaired and returned to service. Using proper handling procedures during removal prevents additional damage and helps ensure possible reuse.

2.2 Pre-installation Inspection

A. Unpacking

Carefully remove the directional gyro from shipping container. The shipping container and packing materials should be retained for use should the gyro require future shipment.

B. Inspect for Damage

Inspect the shipping container and directional gyro for any signs of damage sustained in transit. If necessary, return the directional gyro to the factory using the original shipping container and packing materials. File any claim for damages with the carrier.

2.3 Parts

2.3.1 Included Parts

- A. Model 3300-() Directional Gyro
- B. Mating Connector, MS3116F8-4S or equivalent (P/N 9015514)
- C. Installation Manual (P/N 9016481)

2.3.2 Installer Supplied Parts

- A. Mounting Screw, 6-32UNC-2A. Three (3) required. (3/4" long screws are suggested for panel thickness between 0.05 and 0.19, but may not be optimum in some installations. The installer will need to determine what is correct for a particular installation.)

CAUTION: Do not exceed 0.75" screw depth into bezel!

2.4 Equipment Location

The directional gyro should be located within the aircraft in accordance with the following considerations:

- A. The gyro is ideally located in the instrument panel directly within the pilot's normal line of sight. The "PUSH" knob should be within easy reach. Installations that result in viewing angles in excess of 30 degrees may reduce display readability.
- B. Compare the space requirements of the gyro with the installation area being considered.
- C. The power cable should not run adjacent to heaters, engine exhausts, or other heat sources. Also, take care to route and tie the cable away from aircraft controls and cables.

2.5 Installation

Install the Directional Gyro in accordance with the aircraft manufacturer's instructions and the following steps:

- A. Refer to Figure 2.1 and Table 2.1 for installation dimensions and electrical information. The recommended circuit breaker size is 2A. The minimum wire size is 22 AWG.
- B. **For 3300-11 only:** Locate the lighting voltage switch on the side of the unit. If required, switch the lighting voltage to the aircraft lighting bus voltage. Using a small pointed object, push the switches to select the lighting voltage per Fig 2.3. A brightness level adjustment is also located near the voltage switch on the side of the unit. The brightness level should be set for comfortable viewing at night.
- C. Ensure the available instrument panel cutout meets the requirements of the gyro. See Fig 2.2 for details.
- D. Attach aircraft electrical system cable to the instrument's connector per connector pin callout on Table 2.1 and insert the gyro into the instrument panel cutout. For 3300-10, as indicated on the connector pin callout, either pin B or C may be used for power input. The pins are connected internally and are provided for ease of installation. There is NO need to apply power to both pins B and C. For 3300-11, lighting power should be applied to pin B since pin B and C are not internally connected. Only Pin C should be used for power input.

- E. Secure the gyro to the instrument panel using the screw sizes called out in the mounting instructions. Length of screws will be determined by aircraft instrument panel thickness. The aircraft manufacturer or the installation facility is responsible for supplying appropriate installation hardware. For ease of installation, the caging knob may be removed. This is accomplished without tools by pulling straight out. To reinstall the knob, align the flats on the knob and shaft and push the knob in until it is seated.
- F. Apply the correct input power to the gyro.
- G. The Warning Flag shall be out-of-view within 5 minutes of startup.
NOTE: For 3300–11 only: The dial lighting (text, numerals, and grads) will not function until the rotor is near full speed. The symbolic airplane will be lit when power is applied to the unit.
- H. Verify that the caging shaft is not rubbing on the panel, which can cause the knob to stick.

2.6 Continued Airworthiness

No periodic scheduled maintenance or calibration is necessary for continued airworthiness of the 3300 series Directional Gyro. If the unit fails to perform to specifications, it must be removed and serviced by a qualified service facility.

Figure 2.1 Outline Drawing

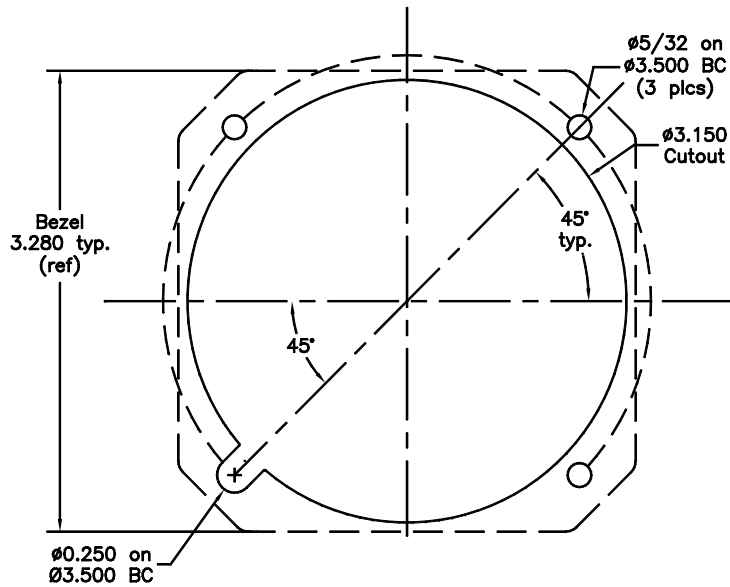
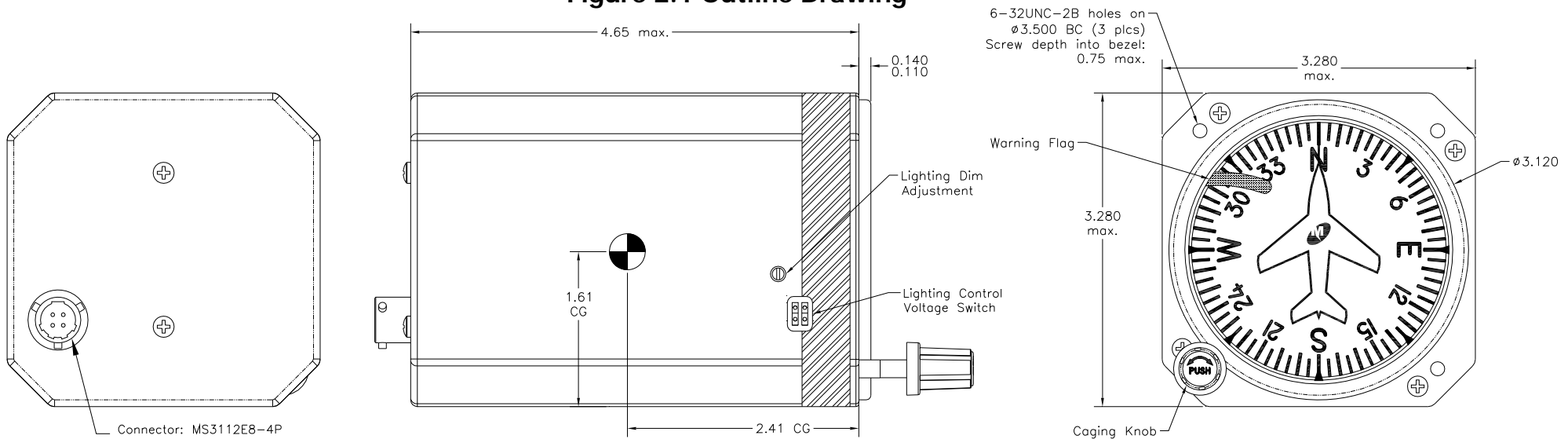
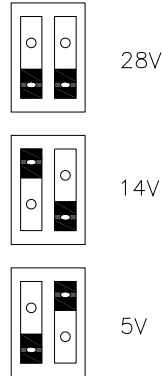


Figure 2.2: Panel Cutout Dimensions

Lighting Control Switch Positions



**Figure 2.3:
Lighting Control
Switch Position**

Connector: MS3112E8-4P	
A	Ground (DC)
B	Lighting Input (-11 Only)
C	+10VDC to 32VDC Input*
D	Reserved

* For -10: Supply power to pin B or C

Table 2.1: Connector Pin Callout

Section 3: Operation

3.1 General

This section describes the Model 3300 Directional Gyro (DG) operating procedures. The DG is required to be installed in an aircraft with the specified inputs applied. Figure 1.1 provides an illustration of a typical Model 3300 display and a table describing the directional gyro's functions.

3.2 Starting Procedures

The following operational procedures are recommended when preparing the gyro for use:

- NOTE: Instrument may be momentarily caged by pushing the "PUSH" knob. Hold the knob until the display stabilizes and then allow the knob to return to the normal position.
- A. Apply power to the directional gyro. After a few minutes the red warning flag will pull out of view, indicating the gyro is near full rotor speed. **For 3300-11 only:** The dial lighting will not function until the red warning flag pulls out of view. The symbolic airplane will be lit when power is applied to the unit.
 - B. Push and hold the caging knob momentarily to make sure the rotor is aligned for optimum operation.
 - C. Before takeoff, set the heading to agree with the magnetic compass. This is accomplished by pushing in the caging knob completely then rotating either direction to the heading indicated on the compass.

3.3 In-Flight Procedures

- A. During straight and level flight, the directional gyro will drift and should be reset to the magnetic compass. The directional gyro should always be reset before performing maneuvers of any kind. During maneuvers, the directional gyro will provide more accurate bearing information than a standard magnetic compass.

3.4 Equipment Limitations

The 3300 series Directional Gyro is not to be used as a reference for aerobatic flight. It is recommended to turn off the Directional Gyro (red flag showing) at least 10 minutes before aerobatic maneuvers are initiated.

Appendix A
DO-160 Environmental Qualification Form

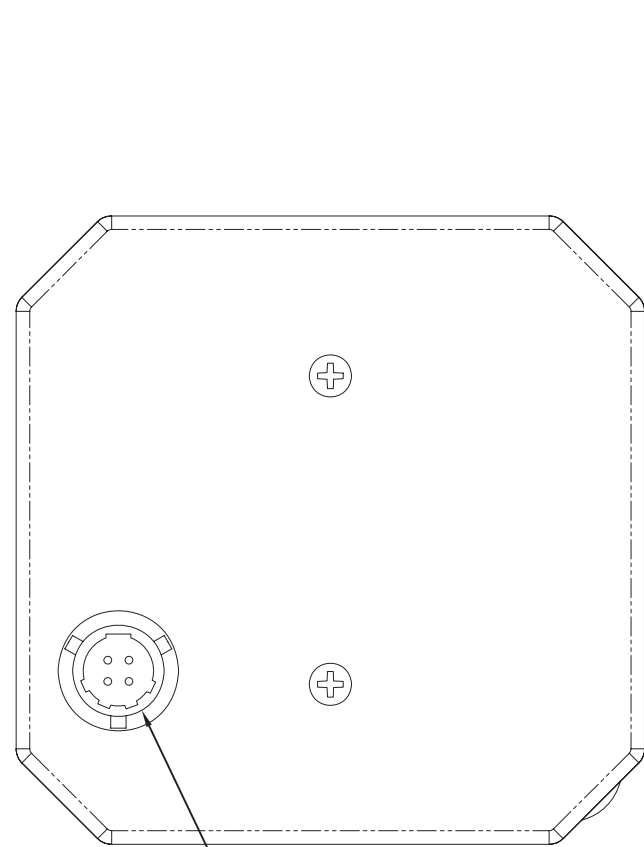
NOMENCLATURE: Directional Gyro
MODEL NUMBER: 3300-XX Series **TSO NUMBER:** C5e
MANUFACTURERS SPECIFICATIONS:
Minimum Performance Specification, Directional Gyro, 3300-xx, TS336, Rev. 1/23/07
MANUFACTURER: Mid-Continent Instruments and Avionics
ADDRESS: 9400 E. 34th St. North, Wichita, KS 67226, USA.
REVISION AND CHANGE NUMBER OF DO-160: Rev. E dated 12/9/04 **DATES TESTED:** 11/06 – 1/07

CONDITIONS	SECTION	DESCRIPTION OF TEST
Temperature and Altitude	4.0	Equipment tested to Category D1
Survival Low Temperature	4.5.2	Survival Low Temp = -65°C
Operating Low Temperature	4.5.2	Operating Low Temp = -40°C
Temperature Variation	5.0	Equipment tested to Category S2
Humidity	6.0	Equipment tested to Category A
Operational Shocks and Crash Safety	7.0	Equipment tested to Category E (Type 5, All Fixed-Wing and Helicopter)
Vibration	8.0	Equipment tested to Category R, curve B1
Explosive Atmosphere	9.0	Equipment identified as category X, no test performed.
Waterproofness	10.0	Equipment identified as category X, no test performed.
Fluids Susceptibility	11.0	Equipment identified as category X, no test performed.
Sand and Dust	12.0	Equipment identified as category X, no test performed.
Fungus	13.0	Equipment identified as category X, no test performed.
Salt Fog	14.0	Equipment identified as category X, no test performed.
Magnetic Effect	15.0	Equipment tested to Category Z
Power Input	16.0	Equipment tested to Category Z
Voltage Spike	17.0	Equipment tested to Category A
Audio Frequency Conducted Susceptibility – Power Inputs	18.0	Equipment tested to Category Z
Induced Signal Susceptibility	19.0	Equipment tested to Category ZC
Radio Frequency Susceptibility (Radiated and Conducted)	20.4 20.5	Tested for conducted susceptibility to Category W Tested for radiated susceptibility to Category W
Emission of Radio Frequency Energy	21.0	Equipment tested to Category M
Lightning Induced Transient Susceptibility	22.0	Equipment tested to Pin Test: Waveform A, Level 3 Cable Bundle Test: Waveform C, Level 3 Multiple Burst no test performed (X). [A3C3X]
Lightning Direct Effects	23.0	Equipment identified as category X, no test performed.
Icing	24.0	Equipment identified as category X, no test performed.
Electrostatic Discharge (ESD)	25.0	Equipment tested to Category A
Fire, Flammability	26.0	Equipment identified as category X, no test performed.

Configuration				
Dash #	DG Assy	Nameplate	Options Decal	Hole Cover Decal
-10	9016455-2	9016465-1	omit	omit
-11	9016455-1	9016465-2	9016157-2	8017212-1

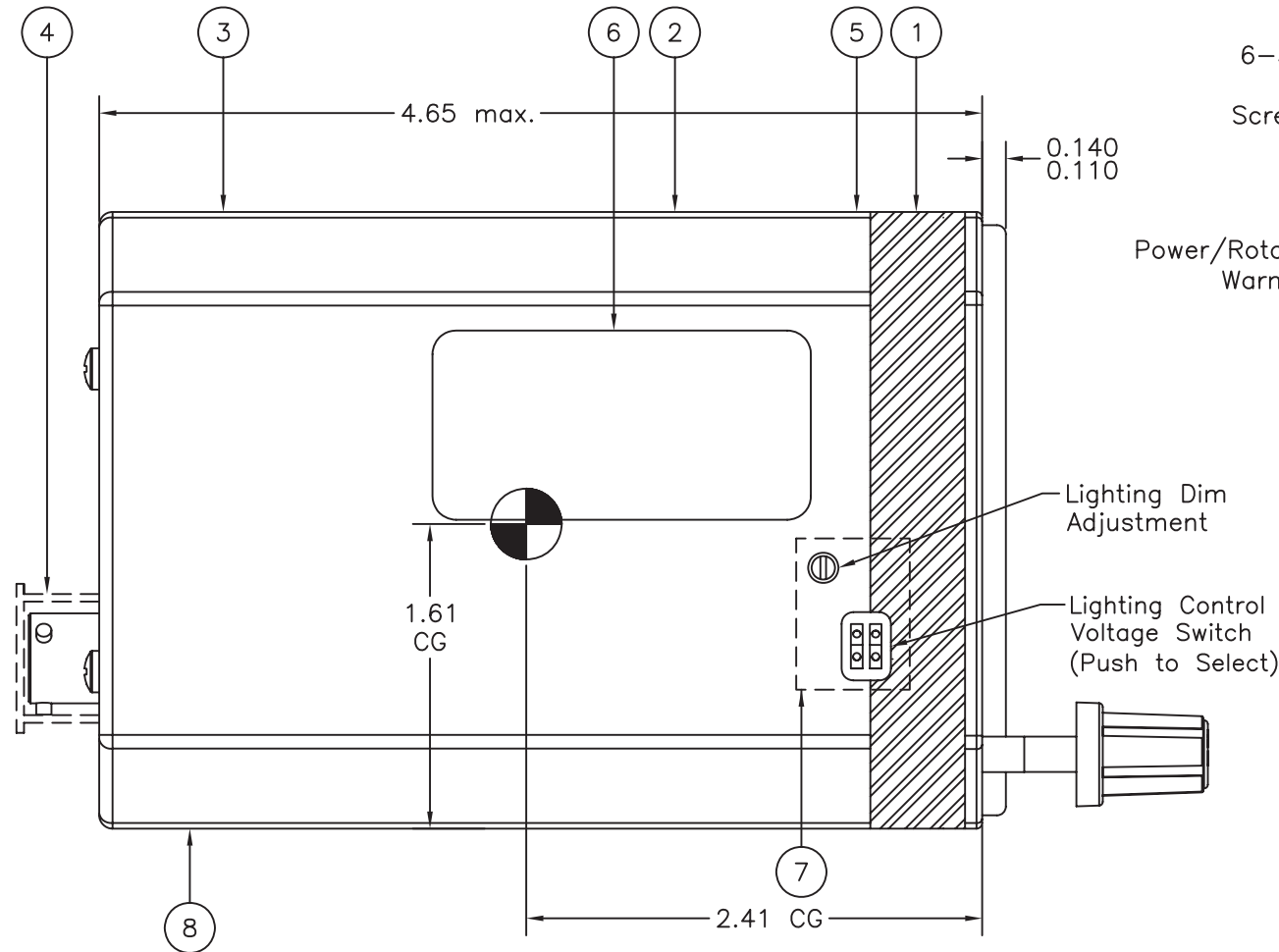
Revisions				
ECO	Rev.	Description	Date	Approved
	A	Production Release. P/N was 4305-210.	1/25/07	JBR/BAW
4811	B	Correct typo: Env. Cat Temp Variation "S2" was "C2".	2/27/07	JBR/BAW
4943	C	Add -11 configuration. Revise pinout for internal lighting. Add Options and Hole Cover Decals.	11/19/07	MCH/BAW
4998	D	Change 8017212 to qty 1. Add TP471-().	3/7/08	MCH/JBR
5166	E	Delete Item 10, black tape, and change Item 7 configuration from 8017212 to 8017212-1.	2/25/09	MKN/Sch

Logo and company name have been changed in title block only. No functional or technical changes have been made. Revision remains unchanged.

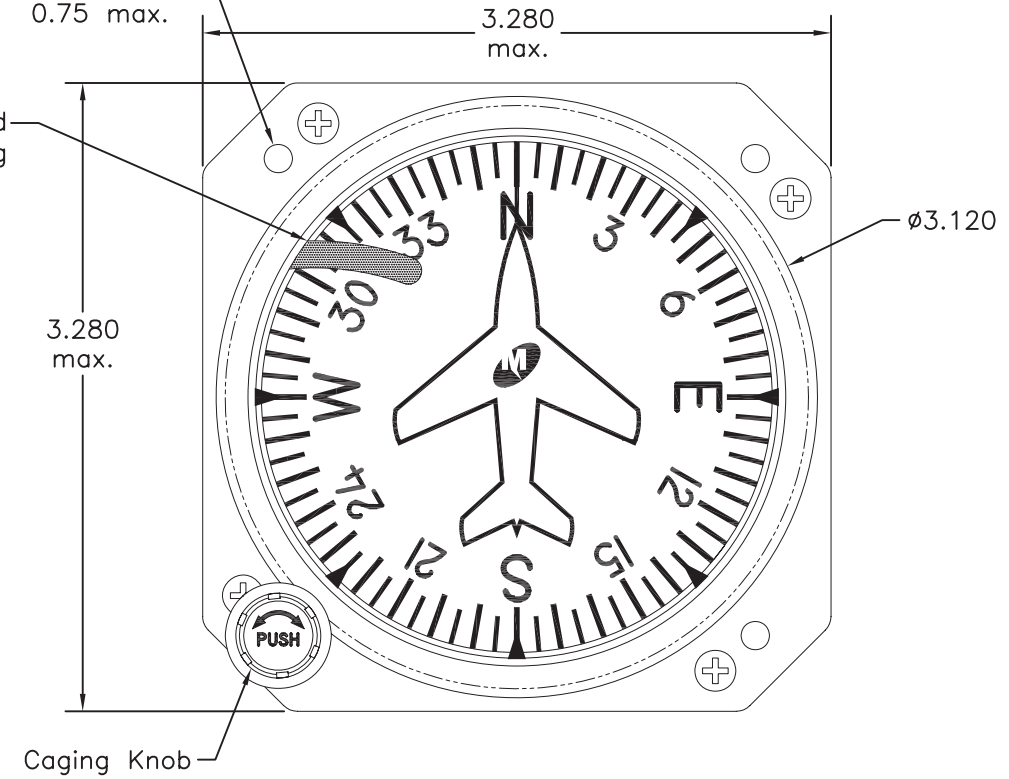


Connector: MS3112E8-4P	
-10 Configuration	-11 Configuration
A Ground (DC)	A Ground (DC)
B +10VDC to 32VDC Input	B Lighting Input
C +10VDC to 32VDC Input	C +10VDC to 32VDC Input
D Reserved	D Reserved

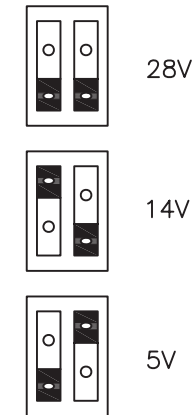
Supply power to pin B or C



6-32UNC-2B holes on
ø3.500 BC (3 plcs)
Screw depth into bezel:
0.75 max.

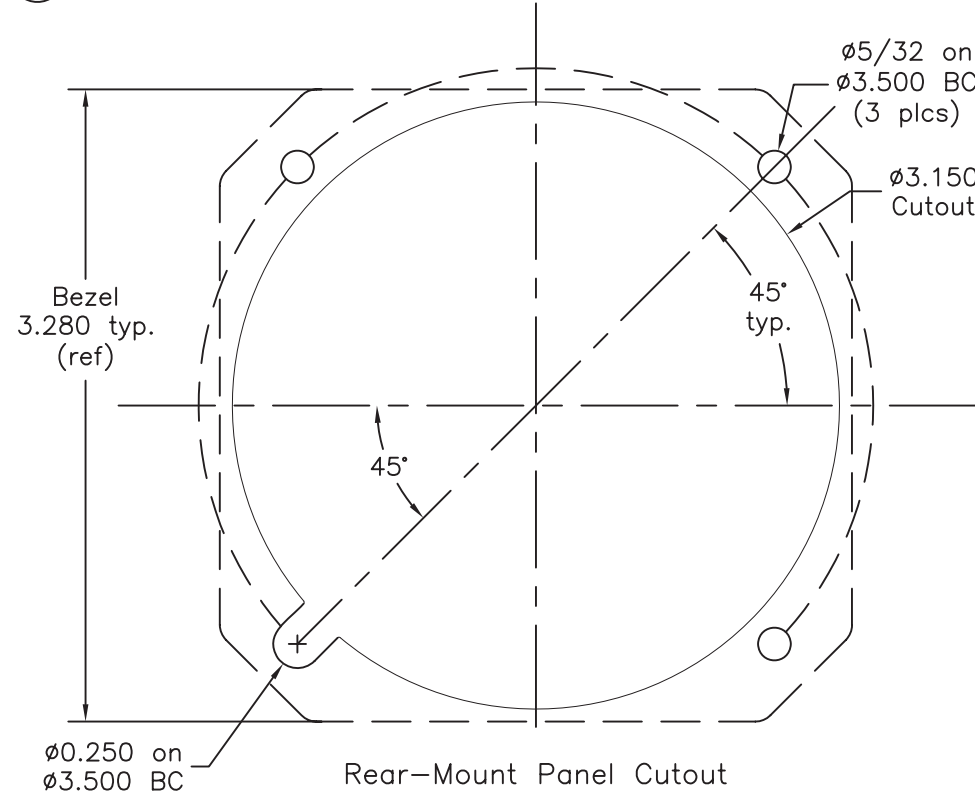


Lighting Control
Switch Positions
(3300-11 Only)



Item	Qty	Part Number	Description
1	A/R	8017360	Tape, Acetate
2	1	6018865	Decal, Caution
3	1	See Config.	Nameplate
4	1	8012486-10YF	Cover, Connector
5	1	6018956	Decal, Warranty
6	1	See Config	Decal, Options
7	1	See Config	Decal, Hole Cover
8	1	See Config.	Directional Gyro Assy
9	1	9015514	Mating Connector

Specifications	
Power Input	10 to 32 VDC
Current Rating	At 13.75 VDC Start: 1.4A Max Run: 0.37-0.51A At 27.5 VDC Start: 0.6A Max Run: 0.18-0.25A
Lighting(-11 only)	Internal White LED. Lighting control voltage is selectable for 5V, 14V or 28V DC.
Weight	3300-10: 1.9 lbs. 3300-11: 2.0 lbs.
MTBF	2500 hours
Qualification Tests	FAA TSO-C5e RTCA DO-160E Environmental Category: D1S2AER(B1)XXXXXXZZAZ[ZC][WW][M][A3C3X]XXAX
Temperature	-40°C to +55°C Operating
Altitude	+50,000 feet
Connector	MS3116E8-4P
Mating Connector	MS3116F8-4S or equivalent (P/N 9015514)
Color	Index Marks, Text, Symbolic Airplane, Logo: White Bezel, Dial Background: Black Power/Speed Warning Flag: Red
Cover Glass	HEA (Anti-Reflective) Coated



UNLESS OTHERWISE SPECIFIED, ALL DIMENSIONS ARE IN INCHES.
TOLERANCE:
FRACTIONAL=±1/64
.XX=±0.015
.XXX=±0.005
.XXXX=±0.002
ANGULAR=±0.5°
CONCENTRICITY: 0.005 TIR
BREAK ALL SHARP EDGES
THREADS PER MIL-S-7742

DRAWN:
J. Reed
8/23/06
APPROVED:
BAW
1/25/07

This document discloses proprietary information of Mid-Continent Instrument Co. It may be reproduced or disclosed only with written permission of Mid-Continent Instrument Co. and is not to be used in any way detrimental to the interests of Mid-Continent Instrument Co.

MidContinent
INSTRUMENTS+AVIONICS

TITLE:
DIRECTIONAL GYRO

PART NUMBER:
3300