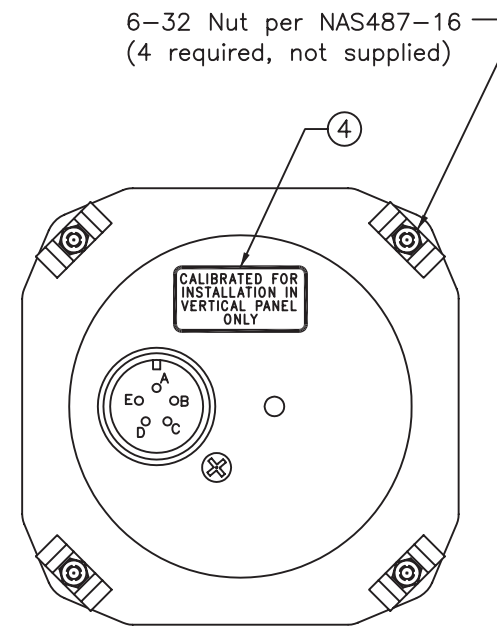
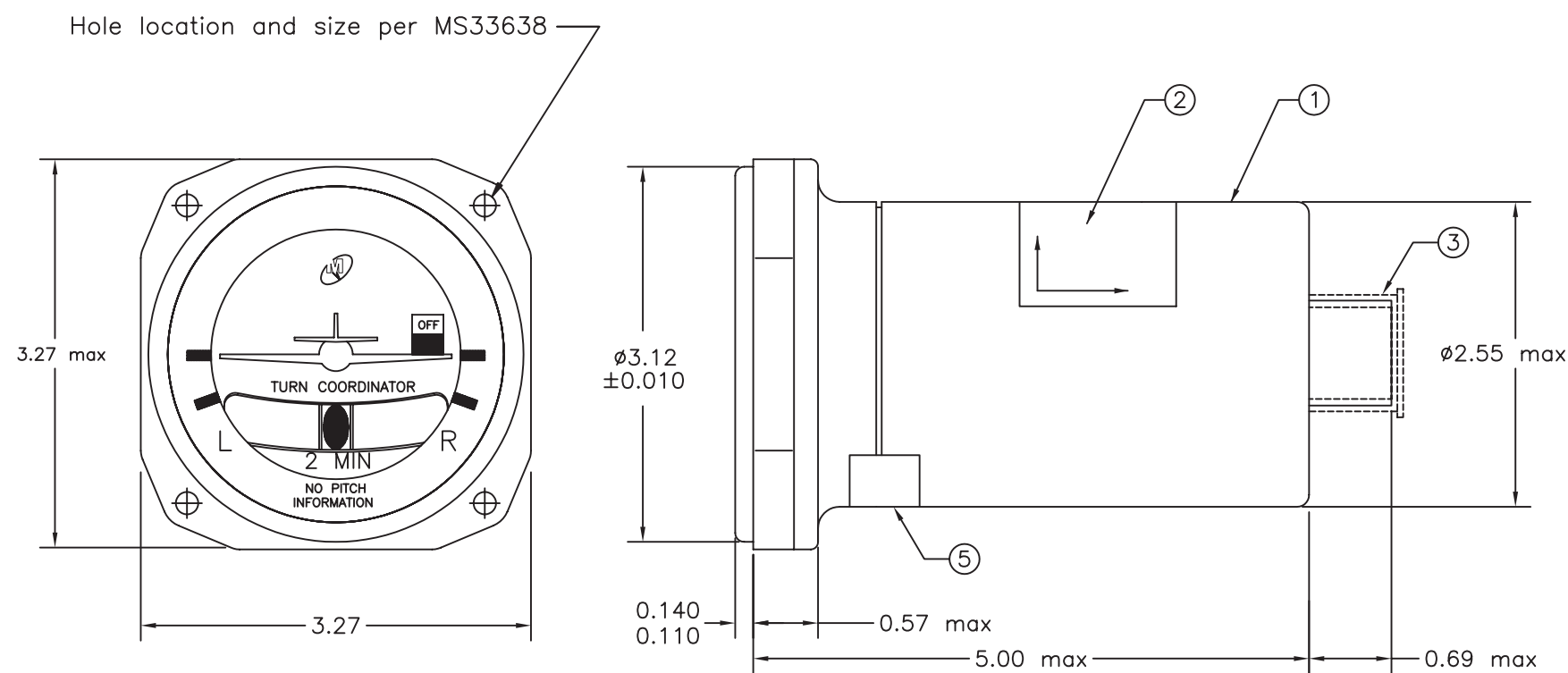


Revisions				
ECO	Rev.	Description	Date	Approved
	A	Initial release.	6/19/06	BAW/Sch
5037	B	Add "M" logo and delete "D.C. ELEC." Delete part of Note 2 referencing D.C. Elec.	6/3/08	MKN/Sch

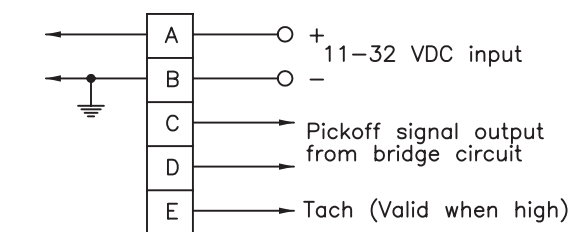
Logo and company name have been changed in title block only. No functional or technical changes have been made. Revision remains unchanged.



Specifications:

Power:	Rated:	14-28 VDC
	Limits:	11 to 32 VDC
Current:	Running:	0.80A max.
	Starting:	0.90A max.
Weight:		1.4 lbs.
Output:	Autopilot:	0-1.6VDC
	Tach:	High (>9VDC) Low (<1.2VDC)

Connector Pinout



- Note:
- 1) Conforms per FAA-TSO C3b.
  - 2) Case and bezel are black. Faceplate markings are white (#37875) on black background (#37038) per FED-STD-595b; Faceplate text shall be per MS33558 font.
  - 3) Cover glass is non-coated.
  - 4) Instrument must be mounted in a panel within 5° of vertical, perpendicular within 5° to the longitudinal flight axis and parallel within 5° of the lateral flight axis.
  - 5) Attach nameplate as shown unless otherwise specified.
  - 6) Inclinator is 0.300 dia. dark grey (FED-STD-595B Color #26081 or darker) ball in a liquid filled tube with white background.
  - 7) Functional test per TDS315.
  - 8) Split red/black flag shows all black while unit is operating normally.

Item	Qty	Part Number	Description
1	1	9016353-4	Turn Coordinator, Sub-Assembly
2	1	1394256-4	Nameplate
3	1	8012486-14	Connector, Cover
4	1	1394515	Decal, Vertical Panel
5	1	6018956	Decal, Warranty

UNLESS OTHERWISE SPECIFIED, ALL DIMENSIONS ARE IN INCHES.  
TOLERANCE:  
FRACTIONAL=±1/64  
.XX=±0.015  
.XXX=±0.005  
.XXXX=±0.002  
ANGULAR=±0.5°  
CONCENTRICITY: 0.005 TIR  
BREAK ALL SHARP EDGES  
THREADS PER MIL-S-7742

DRAWN:  
BAW  
6/19/06  
APPROVED:  
Sch  
6/19/06

This document discloses proprietary information of Mid-Continent Instrument Co. It may be reproduced or disclosed only with written permission of Mid-Continent Instrument Co. and is not to be used in any way detrimental to the interests of Mid-Continent Instrument Co.



TITLE: Turn Coordinator, Brushless, Multi-Voltage, A/P Output  
PART NUMBER: 1394T100-7RB  
SCALE: None  
DO NOT SCALE THIS DRAWING  
SHEET 1 of 1