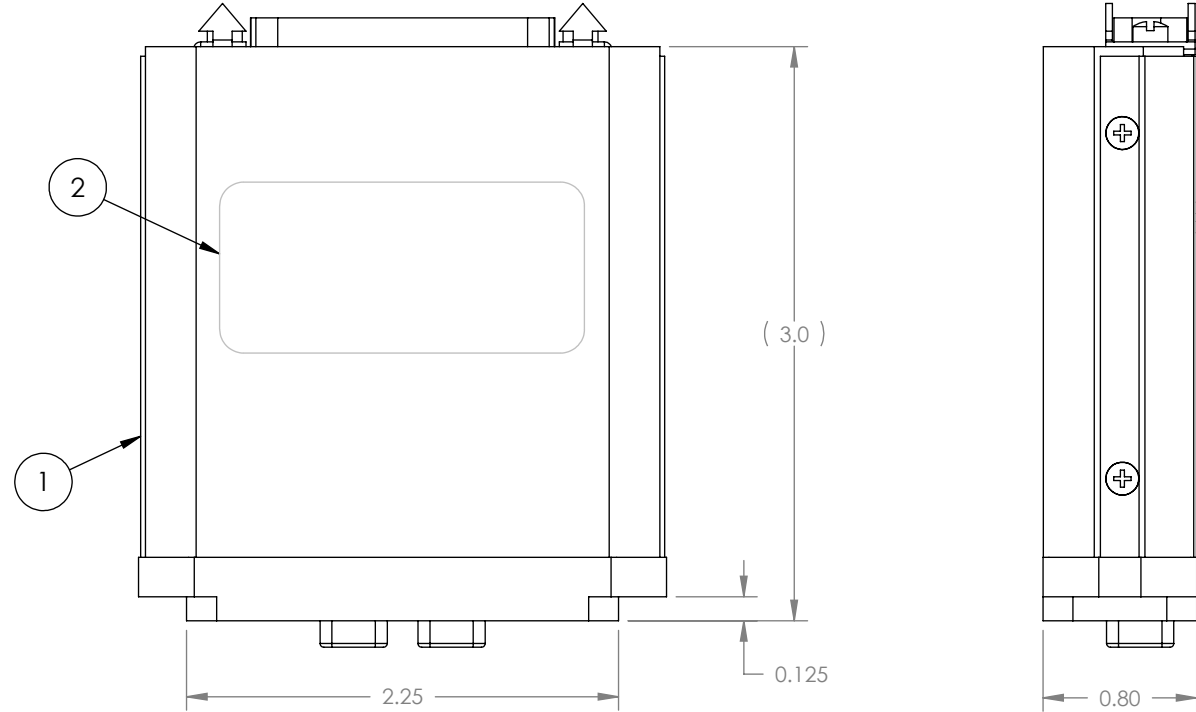


Configuration	
Dash #	

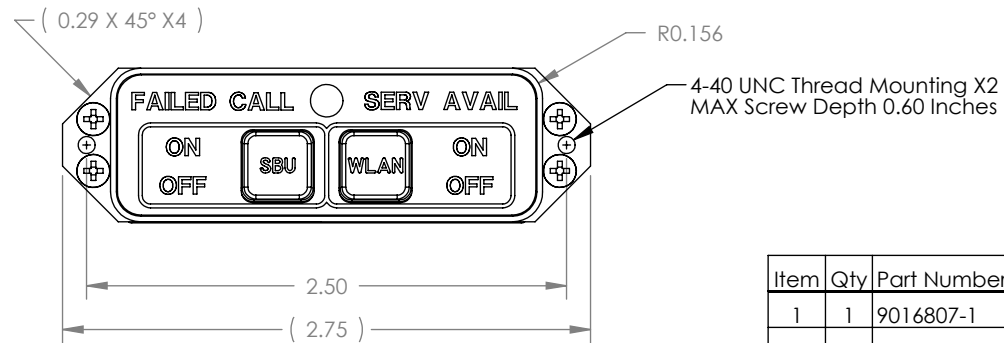
Revision				
ECO	Rev.	Description	Date	Approved
	A	Initial release.	06/09/09	CJM/BAW
5606	B	Added "FAA-PMA" to Qualifications.	06/14/11	MKN/CJM

Logo and company name have been changed in title block only. No functional or technical changes have been made. Revision remains unchanged.

Connector Pinout			
Pin #		Pin #	
1	SERV AVAIL Annun.	10	Reserved
2	CALL Annun.	11	Reserved
3	FAILED Annun.	13	28VDC Power
4	Reserved	16	Reserved
5	28V Dimmer In	18	Reserved
6	WLAN Switch	24	SBU Switch
7	Lamp Test	25	Ground
9	Reserved		



Specifications	
Power Input	28 VDC 0.3 A typical
Lighting	Incandescent Bulbs
Weight	0.3 lbs
Qualification Tests	RTCA DO-160C
	Env. Cat.F2-CA(MN)XXXXXXZBABATZXXX FAA-PMA certified for Gulfstream Aerospace models Galaxy and Gulfstream 200 and IAI model Galaxy
Temperature	-55°C to 70 °C
Altitude	0 to +55,000 Ft.
Connector	MD25M5R40V30
Mating Connector	Positronic RD25F10JVL0
Color	Bezel: Black
	Controls: White w / black lettering
	OFF and FAILED Annunciations: Blue
	ON, CALL, & SERV AVAIL Annuns: Green
Controls	SBU: Alternate action switch
	WLAN: Alternate action switch



Item	Qty	Part Number	Description
1	1	9016807-1	Assy, MD41-1948
2	1	9016808	Nameplate
3	1	7014517	Connector Kit

UNLESS OTHERWISE SPECIFIED, ALL DIMENSIONS ARE IN INCHES.
TOLERANCE:
FRACTIONAL=±1/64
.XX=±0.015
.XXX=±0.005
.XXXX=±0.002
ANGULAR=±0.5°
CONCENTRICITY: 0.005 TIR
BREAK ALL SHARP EDGES
THREADS PER MIL-S-7742

DRAWN:
C. Mies
3/24/2009

APPROVED:
BAW
6/9/2009

This document discloses proprietary information of Mid-Continent Instrument Co. It may be reproduced or disclosed only with written permission of Mid-Continent Instrument Co. and is not to be used in any way detrimental to the interests of Mid-Continent Instrument Co.



TITLE: Annunciation Control Unit		PART NUMBER: MD41-1948
SCALE: 1:1	DO NOT SCALE THIS DRAWING	SHEET: 1 of 1