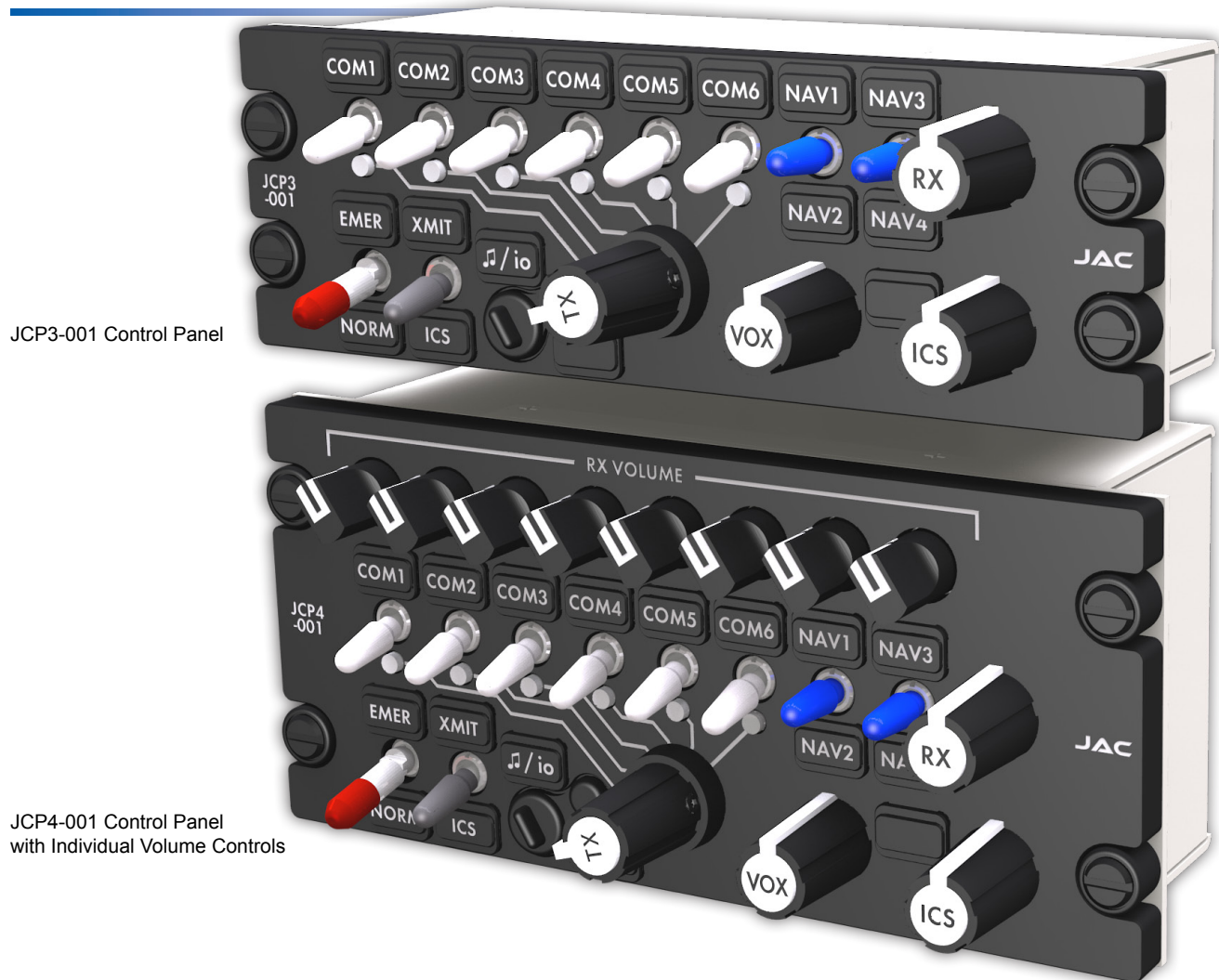




JCP Series Reduced Depth Control Panels

JCP3 / JCP4 Control Panels

Data Sheet

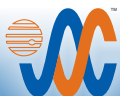


JCP3-001 Control Panel

JCP4-001 Control Panel
with Individual Volume Controls

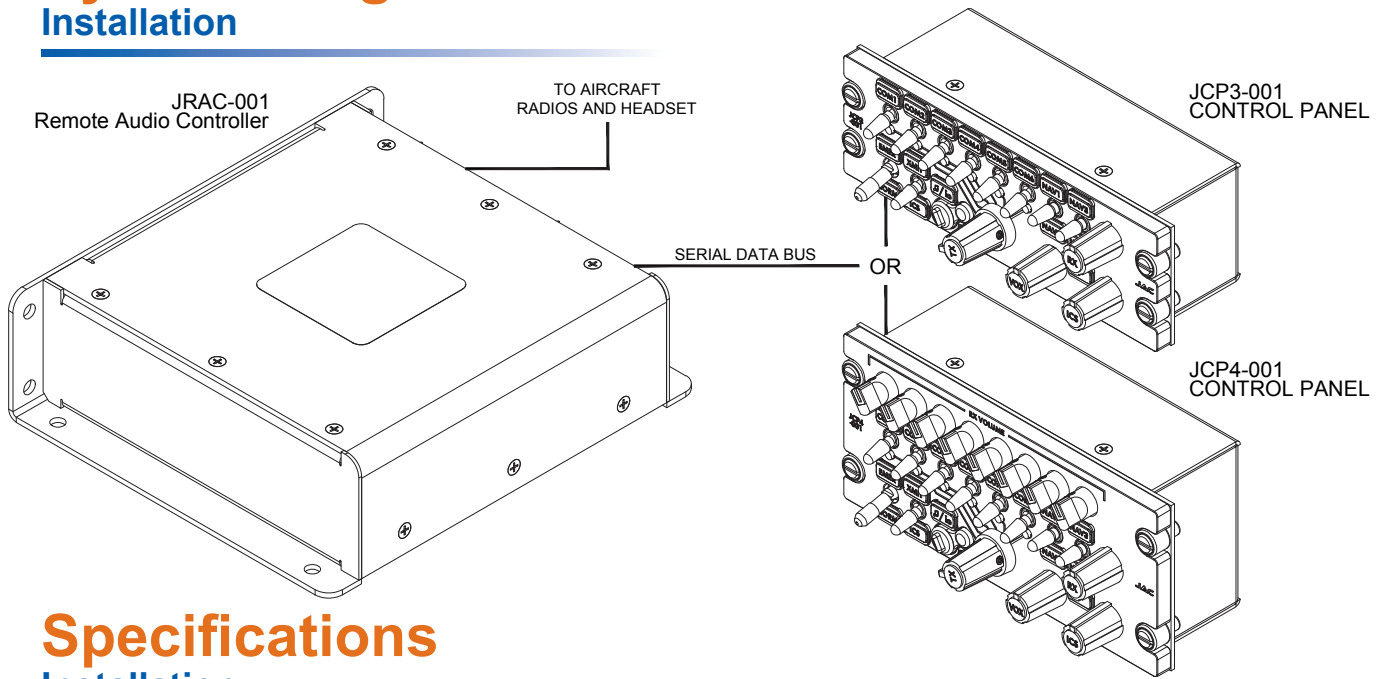
Description

Designed to operate the Jupiter Avionics JRAC-001 Remote Audio Controller, the JCP series of remote panels offers two significant advantages over conventional analogue audio panels. Firstly, the reduced depth behind the panel opens up a wider choice of locations, especially where space is at a premium. Secondly, the reduced number of wires between the avionics bay and the remote panel will result in installation and weight savings.



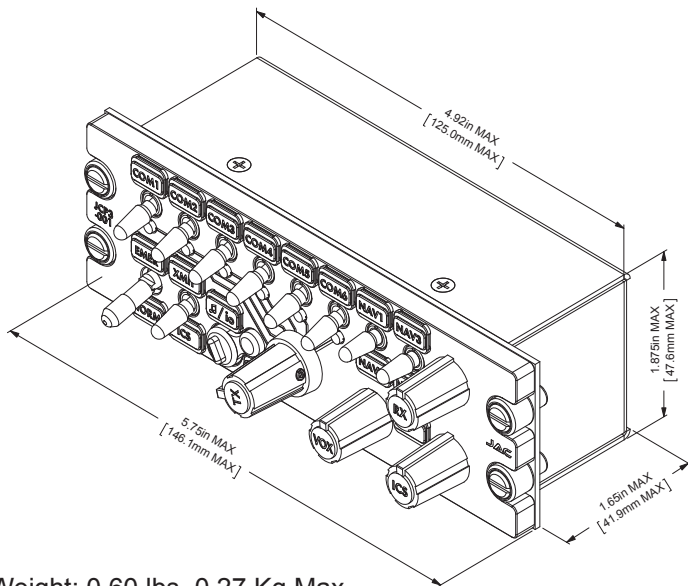
System Diagram

Installation

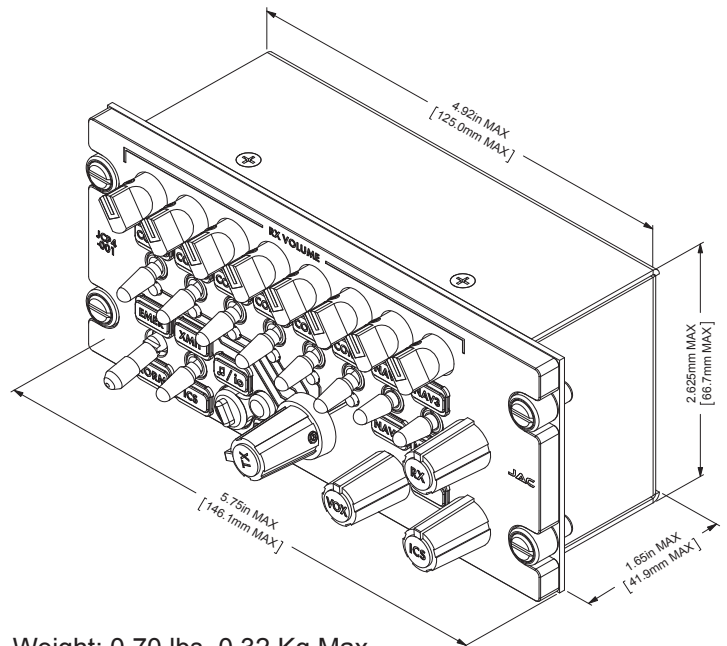


Specifications

Installation



Weight: 0.60 lbs. 0.27 Kg Max



Weight: 0.70 lbs. 0.32 Kg Max

Environment and Performance

Operational Temperature	-45 °C to +70 °C
Survival Temperature	-55 °C to +85 °C
Humidity	95%
Altitude	55,000 ft.
Shock	20g (any axis)
TSO Compliance	Contact JAC for TSO status
Installation Kit	INST-JCPx
Storage Weight	1 lb. [450 g]

