



JA38-600 Intercom Amplifier

Data Sheet

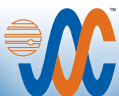


Description

The JA38-600 audio controller is a compact, lightweight unit that incorporates the latest technology, and is compatible with the current industry standard interconnect. The unit will support 7 users. By using a Windows® based application (ProCS™), configuration settings may be changed via a 3.5mm jack.

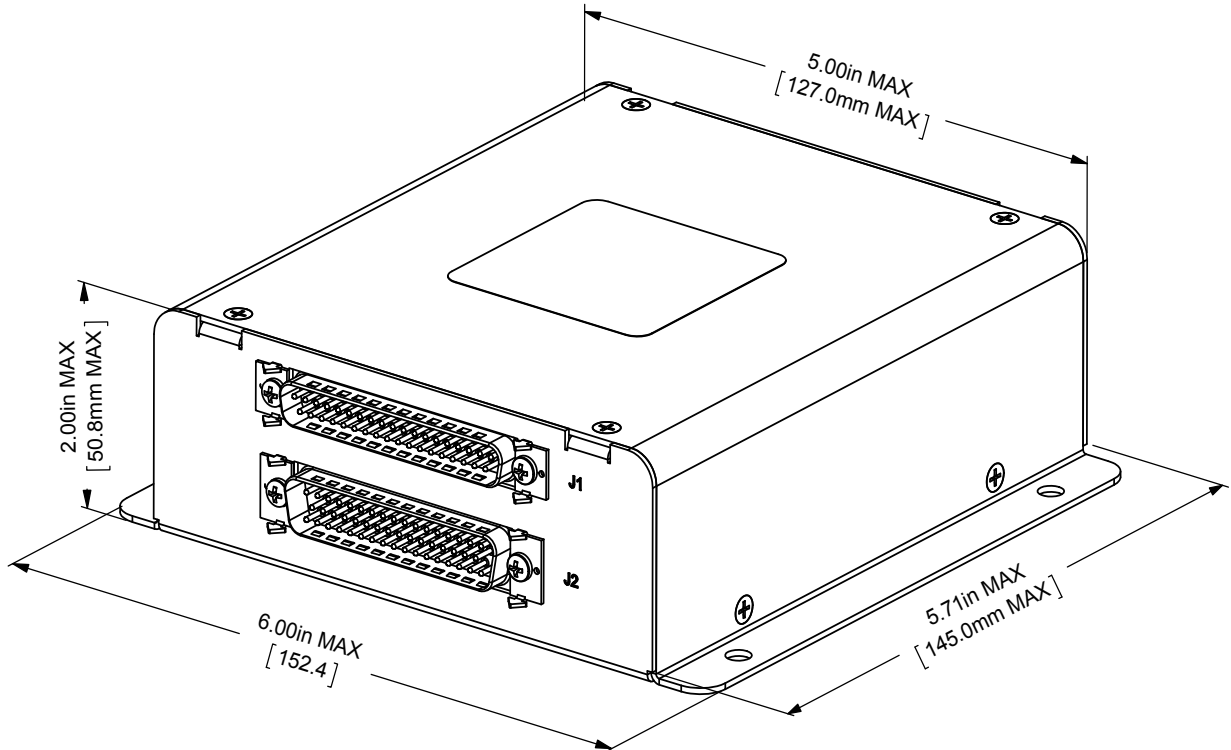
Features

- Up to 7 users
- Field configurable settings
- Stuck microphone time-out
- Adjustable output and input levels
- Balanced ICS, CVR, Rx Comp. & transmit mic. outputs
- Music muting
- Duplex mode transmission for telephone operation
- Individual mic. gating
- Tx capability for 4 users
- Connector pin compatible with industry standard



JA38-600 Specifications

Installation



Weight: 1.64 lb. [0.74 kg] Max.

Environment and Performance

Transceivers		1 Transceiver
Receiver Input		6 Receivers + 1 Direct, 2 Music Inputs, 1 ICS Tie
Number of Headsets		7 users
Electrical	Power	14 to 28 Vdc @ (1.4 to 0.7A) max
Temperature	Operational	-45 °C to +70 °C
	Survival	-55 °C to +85 °C
Altitude		50,000 ft. max
Humidity		95%
Shock		6g (any axis)
Headphone		100 mW into 600 ohms
TSO Compliance		TSO-C139 Pending
DO-160F Env. Cat.		[(C4)(D1)(A1)X]BAB[(SBM)(U2FF1)]XXXXXXZ[(ZXX)(BXX)]AZ[ZC][RR]H[A3J33] XXXX
Installation Kit		INST-JA95