



COMPASS & HEADING / DIAL REPEATERS

MD67HR WEATHERPROOF DIAL COMPASS REPEATER

SKU F067001

[View Online >](#)

FEATURES

- **IPX6 Weatherproof Marinised Heading Repeater**
- **Traditional Marine Compass Card Display**
- **NMEA Digital Input**
- **User-Replaceable Faceplate**
- **True and Magnetic Heading Source Indicators**
- **Bulkhead or Panel Mount Options**
- **Rotary Dimming Control**

CERTIFICATIONS



GL Type Approved

OVERVIEW

The MD67HR is a weatherproof, IPX6-rated, NMEA-based heading repeater for external use. Digital heading data (ship's heading) may be conveniently displayed at any location on a vessel. The MD67HR has a tough polycarbonate faceplate which is user-replaceable and a rotary encoder for varying the background illumination.

Compact and rugged, the MD67HR offers a heading repeater solution for locations where the available space is limited and may be either bulkhead or panel mounted. Finished in jet black to complement other marine navigation equipment. Equipped with LED indicators and automatically displays the heading source in use (True or Magnetic).

The MD67HR from Marine Data: flexible in application, easy to install and simple to maintain.

APPLICATIONS

- External use on a seagoing vessel
- Repeats the heading display of a ship's magnetic compass, electromagnetic compass or gyro compass at any convenient location on a vessel

ACCESSORIES

- Panel Mounting Kit (Supplied)
- Remote Dimmer Control (0-24 V dc)
- Bulkhead Bracket Mounting Kit
- Sun Shield MD67

RELATED PRODUCTS

- The complete range of Marine Data [Heading Repeaters](#)
- Transmitting Heading Device (THD) Systems ([TMC](#) and [EMC](#))

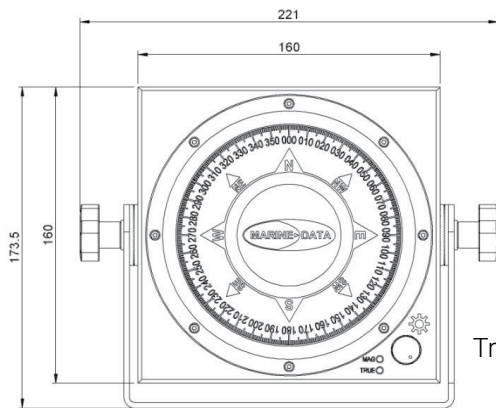
PHYSICAL	
Weight:	1.5 kg (with bulkhead mounting bracket)
Dimensions:	H 174 mm; W 221.5 mm; D 100 mm Fascia 160 x 160 x 16 mm; Dial Ø 118 mm
Mounting:	Panel or optional Bulkhead mounted
Connections:	Multicore cable through watertight gland
Construction:	Aluminium alloy enclosure
Finish:	RAL9005 Jet Black; fine texture

ELECTRICAL	
Power Supply:	24 V dc (18-32 V) 4 W max
Data input:	Digital RS422
Data Protocol:	Digital RS422 NMEA 0183; 4800 / 9600 / 19200 / 38000 Baud, auto-selecting
Data sentences:	Accepted in order of priority: THS, HDT (true), HDG (true heading corrected and uncorrected) and HDM (magnetic uncorrected) NMEA Talker IDs HE (gyro, north seeking) and HC (compass, magnetic)
Cable:	2.5 m captive data cable to bare tails

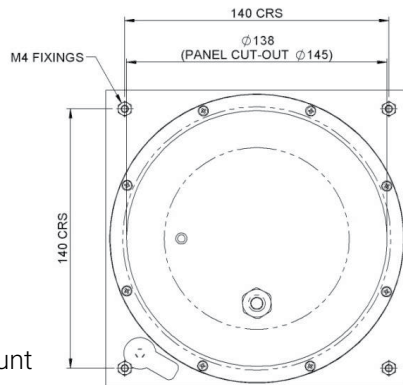
OPERATIONAL	
Performance:	±0.5°/min accuracy; Alignment rate in excess of 20° per second
Dial Illumination:	LED array with local and remote dimming control. Red tint
Display:	Ship's Heading; 0-359° Rotating compass card dial display marked in 1°, 5°, 10° and 45° increments
LED Indicator:	True Heading= Blue (BU); Magnetic Heading = Yellow (YE)
Error Indication:	Loss of valid data: Dial oscillates ±35° about the last known good heading. Dial illumination flashes

ENVIRONMENTAL	
IP rating:	IPX6
Operating temp:	-15°C to +55°C
RoHS:	Compliant
Compass:	Safe Distance 100 cm

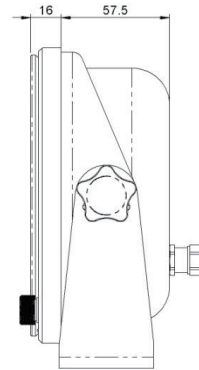
APPROVALS	
Conforms with:	IEC 61162-1; (IEC 61162-2 compatible) IEC 60945; IEC 62288; IEC 61162; ISO 8728 IMO Resolution A1021 (26)
Type Approval:	Germanischer Lloyd (GL)



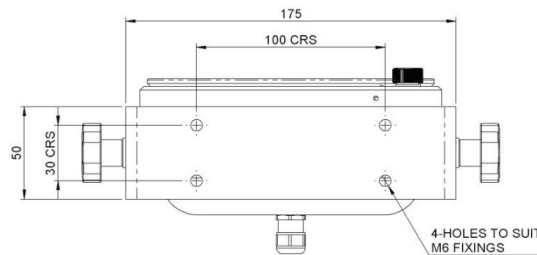
Trunnion Mount



Panel Mount



All dimensions in mm



Copyright © 2018 Marine Data Systems Ltd. - MD67HR Datasheet v06r01

Vittlefields Technology Centre, Forest Road, Newport, Isle of Wight, United Kingdom. PO304LY
Marine Data Systems Ltd. reserves the right to make changes to its products and specifications without prior notice.