



COMPASS & HEADING / DIAL REPEATERS

MD68HR LARGE DUAL SCALE STEERING REPEATER DISPLAY

SKUF068052

[View Online >](#)

FEATURES

- Precision Dual Scale 36:1 Marine Compass Card Display
- Designed for Vessel Steering
- NMEA 0183 Digital Input
- Automatic Baud Rate Detection
- True and Magnetic Source Indication
- Membrane Touch Controls with Remote Dimming Option
- Rugged, Marinised Aluminium Construction

CERTIFICATIONS



GL Type Approved

OVERVIEW

The MD68HR is a dual-scale NMEA-based Steering Repeater. Digital heading data may be displayed and monitored at any location on a vessel. The inner dial has a resolution of one tenth of a degree.

When multiple heading sources are available in the heading data (e.g. True and Magnetic), the MD68HR allows the user to select the heading source and indicates which heading source is in current use.

Compact and rugged, the MD68HR offers a heading repeater solution for locations where the available space is limited and may be either bulkhead or panel mounted. Finished in jet black to complement other marine navigation equipment.

The MD68HR from Marine Data: flexible in application, easy to install and simple to maintain.

APPLICATIONS

- The MD68HR displays True or Magnetic Heading Data transmitted from marine equipment compatible with NMEA 0183 (IEC 61162-1) (Gyro compass, TMC, EMC, GPS Compass etc.)

ACCESSORIES

- Panel Mounting Kit (Supplied)
- Bulkhead Bracket Mounting Kit

RELATED PRODUCTS

- [MD68HRB - Dual Scale Steering Repeater with rotary control](#)
- [MD69BR - Dual Scale Bearing Repeater](#)
- [MD67HR - Watertight Heading Repeater](#)
- [MD77HR - Heading Repeater](#)
- [MD77HRB - Heading Repeater with rotary control](#)

PHYSICAL

Weight:	2.0 kg (with bulkhead mounting bracket)
Dimensions:	H 220 mm W 235mm; D 78 mm Fascia 192mmx192mmx6mm Outer dial Ø 164 mm; Inner dial Ø 103 mm
Mounting:	Bulkhead or Panel mounted
Connections:	1 x data cable to 15-pin D-sub plug
Construction:	Aluminium alloy enclosure
Finish:	RAL9005 Jet Black; fine texture

ELECTRICAL

Power Supply:	24 V dc 6 W nominal (18-31 V dc)
Data input:	Digital RS422; NMEA 0183 protocol 4800 / 9600 / 19200 / 38000 Baud (auto-sensing)
Data sentences:	THS, HDT, HDG and HDM; detected on start up in descending order of priority
Cable:	2.5 m multicore data cable

OPERATIONAL

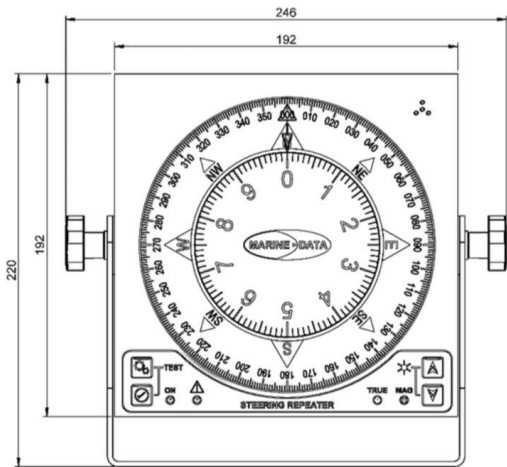
Performance:	± 0.05° accuracy
Follow-Up Rate:	>20° per second
Display:	Concentric dual scale 36:1 rotating dials
Dial Resolution:	Outer scale marked at 1°, 5°, 10°, 45°; Inner scale marked at 0.1°, 1°
Dial Illumination:	LED array with local and remote dimming control. Red tint.
Alarm:	Off Course / Loss of Data / Power Supply Failure: Audible sounder and LED indicator
Heading Type:	LED indicator for heading source type: Gyro Compass / Magnetic Compass
MTBF:	30,000 hours

ENVIRONMENTAL

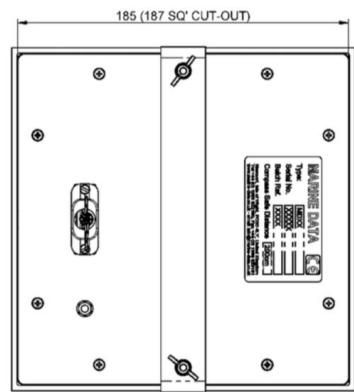
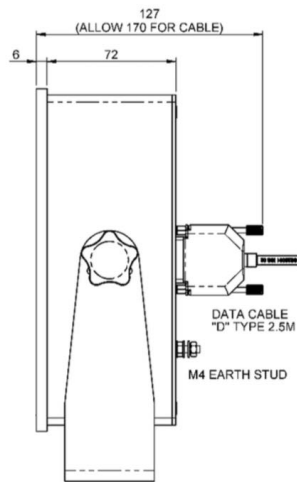
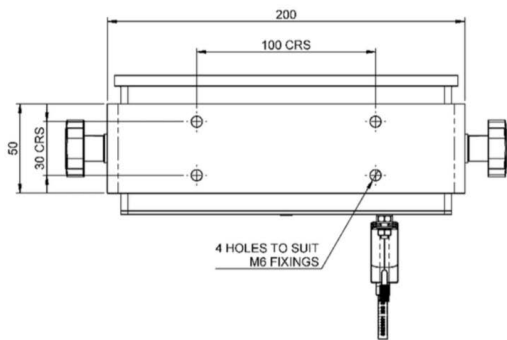
IP rating:	IP54
Operating temp:	-15°C to +55°C
RoHS:	Compliant
Compass:	Safe Distance 100 cm

APPROVALS

Conforms with:	IEC 60945; IEC 62288; IEC 61162-1; ISO 8728:1997; IMO Resolution A1021 (26)
Type Approval:	Germanischer Lloyd (GL)



BULKHEAD MOUNT OPTION



PANEL MOUNT OPTION

All dimensions in mm



Copyright © 2018 Marine Data Systems Ltd. - MD68HR Datasheet v06r01

Vittlefields Technology Centre, Forest Road, Newport, Isle of Wight, United Kingdom. PO304LY
Marine Data Systems Ltd. reserves the right to make changes to its products and specifications without prior notice.