



COMPASS & HEADING / BEARING REPEATERS

MD69/21 PELORUS STAND BEARING COMPASS REPEATER

SKU F021008

[View Online >](#)

OVERVIEW

The MD69/21 Pelorus Stand Assembly is a complete Bearing Repeater solution with a fitted gimbal and a precision dual-scale bearing repeater bowl. Available with a range of options for all types of vessel

The MD69/21 Pelorus Stand Assembly is lightweight, easy to install and extremely rugged, rated to IPX6 and suitable for wheelhouse and exterior deck environments.

Fitted as standard is an IPX6 weatherproof terminal box to connect with the vessel's cabling.

The MD69/21 Pelorus Stand Assembly from Marine Data: Flexible in application, easy to install and simple to maintain.

APPLICATIONS

- Provides a rugged Bearing Repeater solution on a deck or on a bridge

ACCESSORIES



MD69AZI
Azimuth Sight



MD69BC
Bearing Circle



MD60A2K
Telescopic Alidade



MD69CPC
Canvas Cover



MD21WD
Weather Dome

RELATED PRODUCTS

[MD69/22](#) - Bearing Compass Repeater on Bulkhead Mount

[MD69BR](#) - Bearing Compass Repeater on Trunnion Mount

FEATURES

- Rugged GRP Pelorus Stand with Bearing Repeater
- Includes MD69BR Precision Dual-Scale 36:1 Repeater Bowl
- With Fully Gimballed Bearing Repeater Mount and Integral Terminal Box
- Built-in Dimmer Control
- NMEA 0183 Digital Connection
- Optional Weather Dome or Flexible Canvas Cover
- Ingress protected to IPX6

CERTIFICATIONS



GL Type Approved

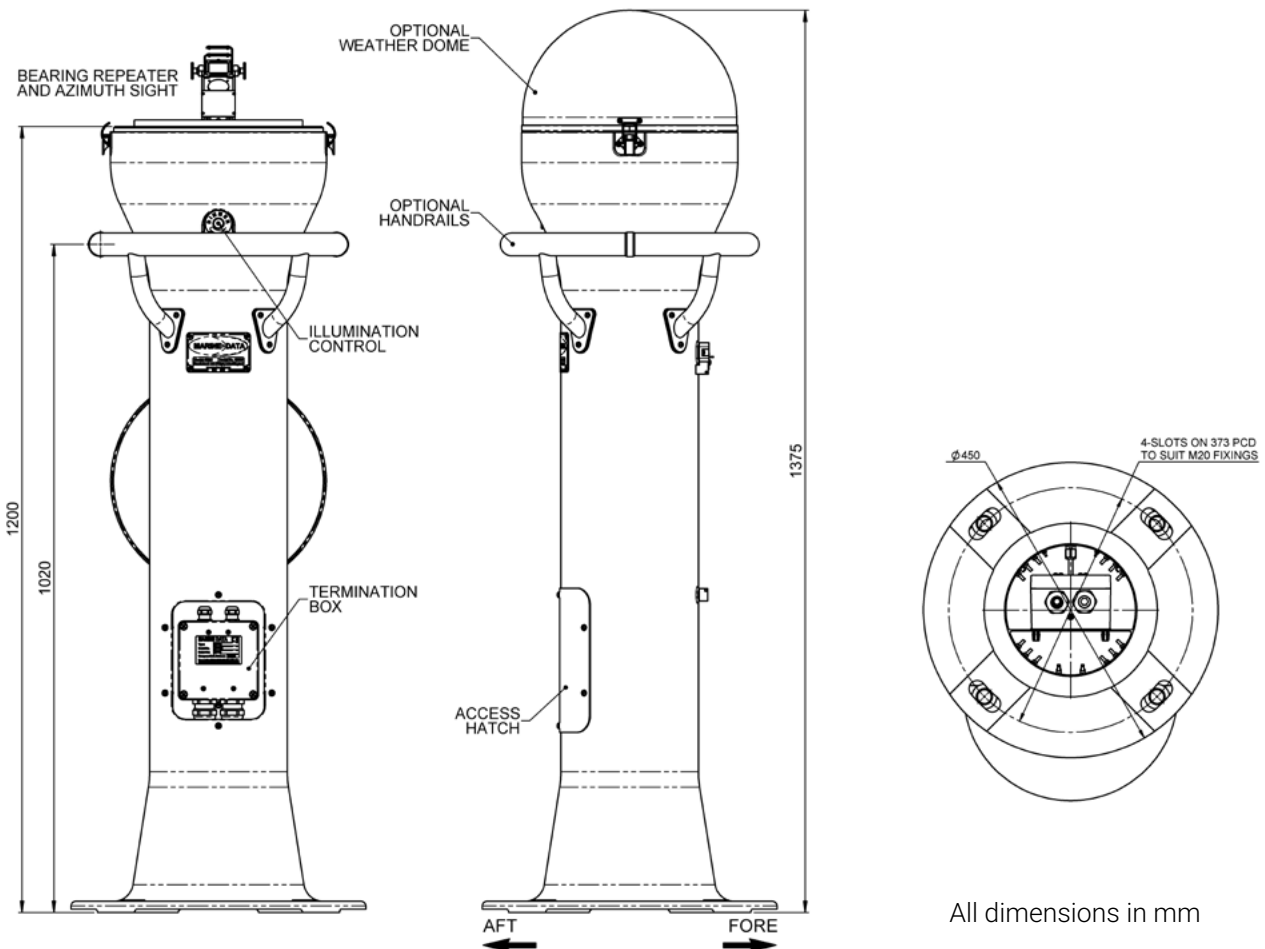
| PHYSICAL | |
|-----------------------|---|
| Weight: | 22 kg complete assembly (including optional dome); 12 kg (stand only) |
| Dimensions: | H 1200 mm (H 1375 mm with optional Weather Dome); max Ø 450 mm |
| Repeater Bowl: | Model MD69BR Precision Dual Scale 36:1 |
| Mounting: | Deck; 4x M20 bolts (not supplied) |
| Connections: | Integral Terminal Box |
| Construction: | Glass Reinforced Plastic (GRP) |
| Finish: | RAL7040 Window Grey, semi-gloss |

| ELECTRICAL | |
|----------------------|---|
| Earth Bond: | M4 stud on cable terminal box |
| Illumination: | Built-in rotary dimming control 0-24 V dc Red tint illumination colour |
| Heading Data: | NMEA 0183 |

| ENVIRONMENTAL | |
|------------------------|---|
| IP rating: | IPX6 (Repeater Bowl); IPX6 (Terminal Box) |
| Operating temp: | -25°C to +55°C |
| Storage temp: | -25°C to +70°C |
| RoHS: | Compliant |
| Magnetic | Magnetic Permeability: Category 'A' |
| Compass: | Safe Distance 50 cm |

| APPROVALS | |
|-----------------------|-------------------------|
| Complies with: | IEC 60945 |
| Type Approval: | Germanischer Lloyd (GL) |

| ADDITIONAL | |
|------------------|---|
| Supplied: | MD69CB/W IPX6 rated waterproof terminal box |



All dimensions in mm



Copyright © 2018 Marine Data Systems Ltd. - MD69-21 Datasheet v06r01

Vittlefields Technology Centre, Forest Road, Newport, Isle of Wight, United Kingdom. PO304LY
 Marine Data Systems Ltd. reserves the right to make changes to its products and specifications without prior notice.