



COMPASS &amp; HEADING / BEARING REPEATERS / ACCESSORIES

# MD69BC BEARING CIRCLE FOR BEARING COMPASS REPEATERS

SKU F069052

[View Online >](#)

## FEATURES

- **Traditional Vane Type Bearing Circle**
- **Complete with Removable Shadow Pin, Folding Vanes and Reflecting Mirror**
- **Non-Magnetic Naval Brass Construction**

## OVERVIEW

The MD69BC is a traditional vane type Bearing Circle. It allows an observer to take a bearing of a distant object by aligning the two sighting vanes with the object. The near vane contains a peep sight while the far vane contains a vertical sighting wire. A diametric horizontal wire from the near vane to the far vane enables the observer to read the bearing from the Compass Repeater card.

A reflector vane positioned behind the far vane allows the observer to observe azimuths of luminous celestial bodies (stars and planets) at various altitudes by picking up their reflection in the black mirror. When the body is observed, its reflection appears behind the vertical wire in the far vane. The MD69BC is supplied with a removable shadow pin which indicates the azimuth of the sun by the direction of its shadow. The instrument is finished in a semi-gloss black paint to complement other external marine navigation equipment and is supplied in a wooden instrument box.

The MD69BC Bearing Circle from Marine Data: flexible in application, easy to use and simple to maintain.

## APPLICATIONS

- For taking accurate terrestrial bearings of distant objects
- To fit the Marine Data MD69BR Bearing Repeater Compass

## RELATED PRODUCTS



**MD69AZI**  
Azimuth Sight



**MD60A2K**  
Telescopic Alidade

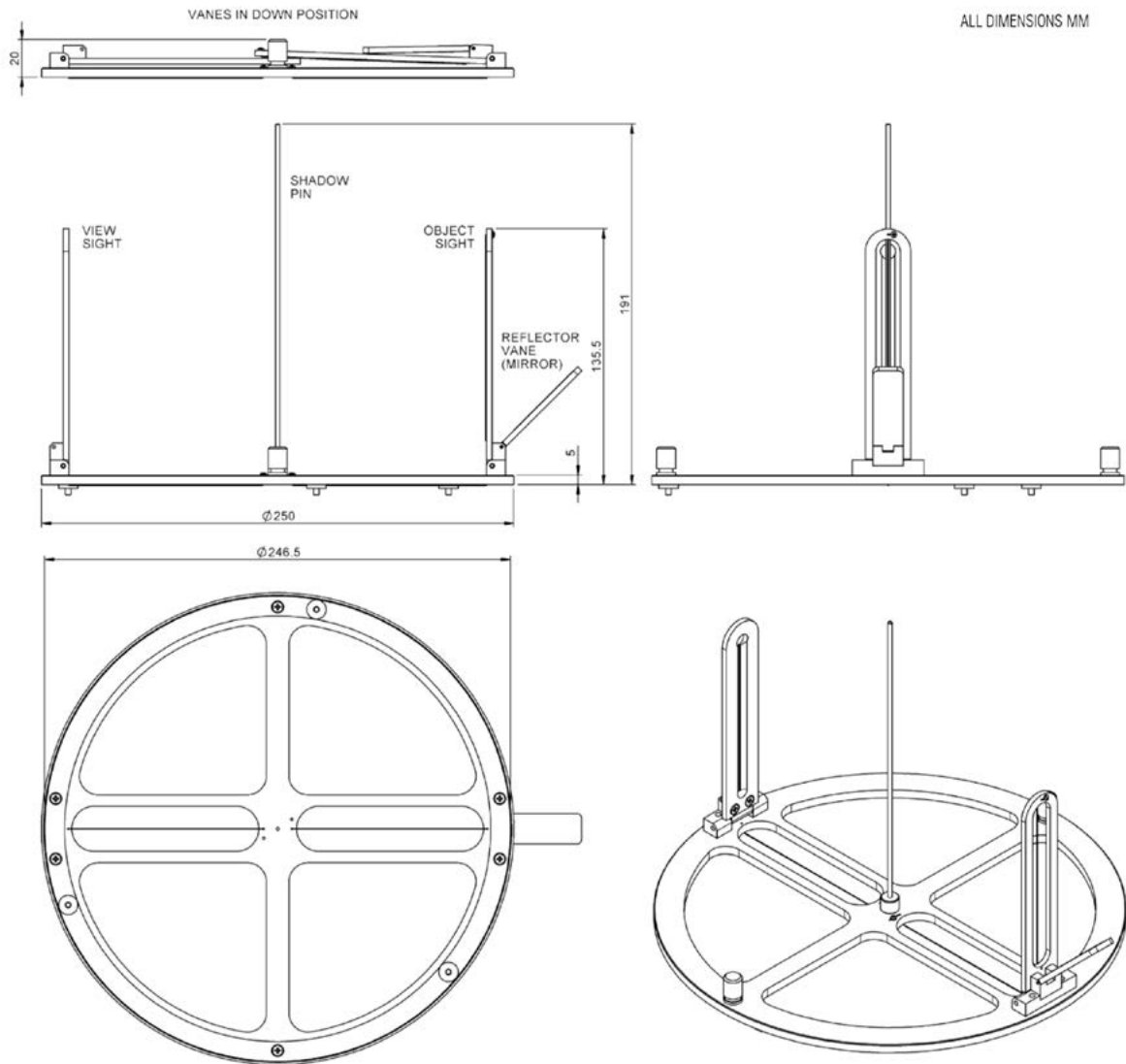


**MD69BR**  
Bearing Repeater

PHYSICAL	
Weight:	1.0 kg
Dimensions:	OD Ø 254 mm; H 143 mm (with shadow pin)
Mounting:	Fits the MD69BR Bearing Repeater; bezel Ø 9.7 inch (246.4 mm)
Construction:	Marine Grade Naval Brass
Finish:	RAL9005 satin black paint

ENVIRONMENTAL	
IP rating:	n/a
Operating temp:	-10°C to +70°C
Compass:	Safe Distance 50 cm

ADDITIONAL INFORMATION	
Supplied:	Wooden Instrument Box
Supplied:	Shadow Pin (removable)



Copyright © 2018 Marine Data Systems Ltd. - MD69BC Datasheet v06r01

Vittlefields Technology Centre, Forest Road, Newport, Isle of Wight, United Kingdom. PO304LY  
 Marine Data Systems Ltd. reserves the right to make changes to its products and specifications without prior notice.