



NAVIGATION DISPLAYS / MULTIFUNCTION DISPLAYS

MD71MFD DIGITAL MULTI-FUNCTION DISPLAY

SKU F071001

[View Online >](#)

OVERVIEW

The MD71MFD is a compact multi-function Digital Display with a 2.7" OLED Graphic Display and NMEA 0183 (IEC61162-1) input. It is designed to accept data from a variety of sources and display navigational and related ship information in numeric and graphical format. Firmware variants are available to cater for specific information groups, with each variant capable of displaying information from many related sources. Each firmware variant is configurable to customise the display options available to the user.

The MD71MFD has a 2.7" yellow OLED screen which can display alphanumeric data in 6 font sizes with digits from 3.5 to 20 mm high and display graphic detail.

The MD71MFD from Marine Data: flexible in application, easy to install and simple to maintain.

APPLICATIONS

- Displays a wide variety of ship related information, can include: Heading (True or Magnetic), Rate of Turn, Pitch, Roll, Rudder Angle, Propeller rpm, Water Speed, Water Depth, Speed over Ground (SOG), Course over Ground (COG), Position (Lat / Long), Wind Speed, Wind Direction, Air Temperature, Water Temperature, Barometric Pressure – and others. Contact us for details.

ACCESSORIES

- MD71TB - Trunnion Mounting Bracket
- MD01PMD - Remote Rotary Dimmer

RELATED PRODUCTS

- [MD75MFD](#) - Large Format Multi-Function Display
- Transmitting Heading Device (THD) System ([TMC](#) and [EMC](#))

FEATURES

- **Displays a wide range of ship-related data including Heading, Roll and Pitch - and many others**
- **Factory configured to your exact requirements**
- **Firmware customisable and upgradeable**
- **Rugged and compact design**
- **Bright, sharp OLED display - easy to observe**
- **Accepts NMEA 0183 data sentences and others**

PHYSICAL	
Weight:	0.4 kg
Dimensions:	H 96 mm; W 96 mm; D 35 mm; Allow 80 mm at rear for cable; Fascia 96 x 96 x 6 mm deep
Mounting:	Panel mount (standard); Surface mount (option)
Connections:	1x 15-way D-type connector; M4 Earth stud
Construction:	Aluminium alloy enclosure
Finish:	RAL9005 Jet Black; fine texture

ELECTRICAL	
Power Supply:	12-24 V dc; 2.5 W max (0.1 A; 24 V dc) Low Power alarm trigger: 9.0 V Low Power alarm cancel: 11.5 V
Data input:	Digital RS422; NMEA 0183 (IEC 61162-1) compliant; 4800 / 9600 / 19200 / 38000 Baud; Auto selecting
Data sentences:	THS, HDT, HDG and HDM; detected on start-up in descending order of priority
Data Output:	Visual OLED Display and Status Indicator Data: RS422 (IEC 61162-1) NMEA 0183 Audible Alarm
Remote Dim:	Optional; 0-24 V dc (with respect to supply negative)
Cable:	Supplied with 2.5 m multicore data cable

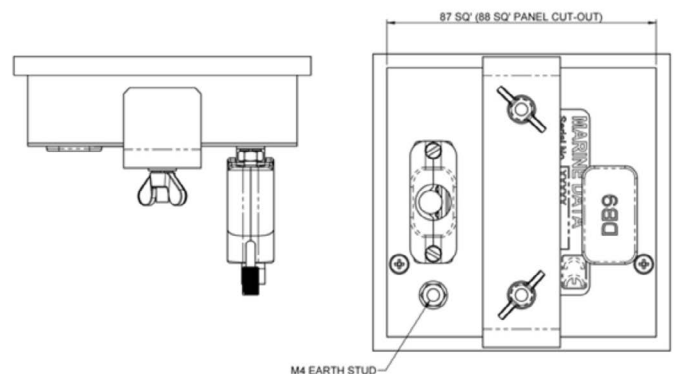
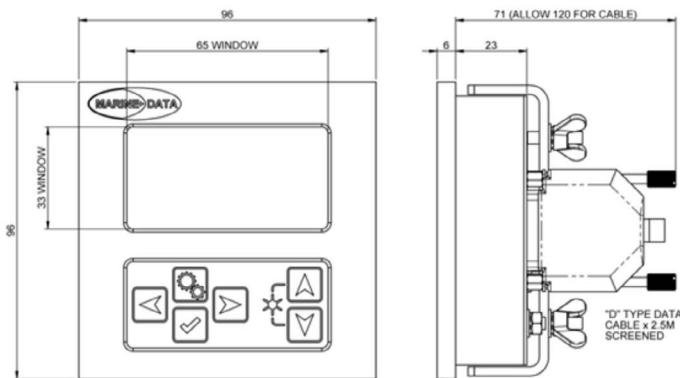
OPERATIONAL	
Performance:	Dependant on received data
Display:	2.7" 128 x 64 Pixel OLED – Yellow
Error Indication:	Flashing Warning Message + Audible Alarm Fixed Warning Message (acknowledged alarm)
MTBF:	30,000 hours

ENVIRONMENTAL	
IP rating:	IP54
Operating temp:	-15°C to +55°C
Magnetic	Magnetic Permeability: Category 'A'
RoHS:	Compliant
Compass:	Safe Distance 50 cm

APPROVALS	
Conforms with:	IEC 60945

ADDITIONAL	
Option:	Custom Functionality; contact us for your exact requirements
Option:	Front panel sealed to IP67 rating
Option:	Alarm solid state relay: 1 A / 60 V rated

All dimensions in mm



Copyright © 2018 Marine Data Systems Ltd. - MD71MFD Datasheet v06r01

Vittlefields Technology Centre, Forest Road, Newport, Isle of Wight, United Kingdom. PO304LY
Marine Data Systems Ltd. reserves the right to make changes to its products and specifications without prior notice.