



COMPASS & HEADING / DIGITAL REPEATERS

MD74HR/W WEATHERPROOF DIGITAL COMPASS REPEATER DISPLAY

SKU F074025

[View Online >](#)

FEATURES

- **Back-lit LCD Heading Display and Heading Type with red tint**
- **High visibility red LED Turn Indicator**
- **Environmentally Protected to IPX6**
- **No internal moving parts**
- **NMEA 0183 Digital Input**
- **Automatic selection and prioritisation of NMEA heading data type**
- **Automatic warning of loss of valid heading data**
- **Automatic detection of previously lost heading data without requiring a reset**
- **True / Magnetic Source Indication**
- **Rugged Construction**
- **Local Dimming Control**

CERTIFICATIONS



GL Type Approved

OVERVIEW

The MD74HR/W is the weatherproof version of the MD74HR NMEA-based heading repeater with an LCD display. Digital heading data (ship's heading) may be conveniently displayed at any location on a vessel. The MD74HR/W features a high visibility LED Turn Indicator which can display either Rate of Turn or Course to Steer.

Compact and rugged, the MD74HR/W offers a heading repeater solution for locations where the available space is limited and may be either bulkhead or panel mounted. Finished in jet black to complement other marine navigation equipment.

The MD74HR/W Heading Repeater from Marine Data: compact and rugged, flexible in application, easy to install and simple to maintain.

APPLICATIONS

- Repeats the heading display of a ship's magnetic or gyro compass at any convenient location on a vessel

ACCESSORIES

- MD74TB - Bulkhead Mounting Kit
- MD74DIM - Remote Dimming Control

RELATED PRODUCTS

- [MD74HR](#) - Digital Heading Repeater (IP54)
- [MD75HR](#) - Large Format Digital Heading Repeater
- The complete range of Marine Data [Heading Repeaters](#)
- Transmitting Heading Device (THD) System ([TMC](#) and [EMC](#))

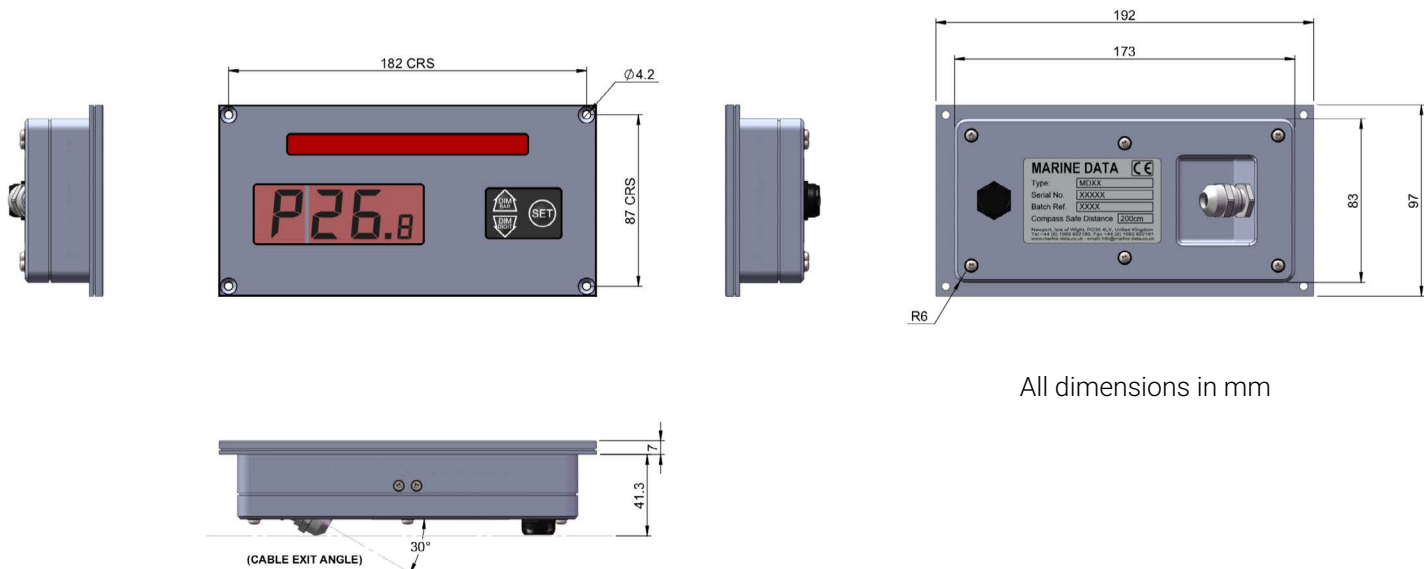
PHYSICAL	
Weight:	1.0 kg
Dimensions:	H 137 mm; W 250 mm; D 78 mm (on bracket) Fascia: 192 x 97 x 6 mm
Mounting:	Panel mount or Bulkhead mount (accessory)
Connections:	1 x 5-way screened cable to D-sub connector
Construction:	Aluminium alloy enclosure
Finish:	RAL9005 Jet Black; fine texture

ELECTRICAL	
Power Supply:	24 V dc nominal; 4 watts max; 18-32 V dc
Data input:	RS422 NMEA 0183; 4800 Baud; others available
Data sentences:	THS, HDT, HDG and HDM; detected on start-up in descending order of priority
Cable:	2.5 m multicore data cable with D-sub connector to bare tail

OPERATIONAL	
Performance:	± 0.1° resolution
Follow-Up Rate:	>20° per second
LCD Display:	Numeric Heading Data with Heading Type
LED Display:	Visual Turn Indicator (24 segments)
Resolution:	LCD Display ±0.1°, LED Turn Indicator: 1°
Illumination:	LCD Backlight: Red tint; LED Display: Red; variable dimming
Error Indication:	LCD display flashes at 1 Hz whilst showing the last known good heading (alert condition)

ENVIRONMENTAL	
IP rating:	IPX6 (IP54 option available)
Operating temp:	-15°C to +55°C
RoHS:	Compliant
Compass:	Safe Distance 50 cm

APPROVALS	
Conforms with:	IEC60945; IEC 62288 IEC 61162-1; IMO Resolution A821 (19)
Type Approval:	Germanischer Lloyd (GL)



All dimensions in mm



Copyright © 2018 Marine Data Systems Ltd. - MD74HR/W Datasheet v06r01

Vittlefields Technology Centre, Forest Road, Newport, Isle of Wight, United Kingdom. PO304LY
Marine Data Systems Ltd. reserves the right to make changes to its products and specifications without prior notice.