



## COMPASS &amp; HEADING / DIAL REPEATERS

# MD77HR DIAL COMPASS REPEATER DISPLAY

SKU F077052

[View Online >](#)

## FEATURES

- **Traditional Marine Compass Card Display**
- **Main and Emergency power supplies; with monitoring of both**
- **Automatic Baud Rate Detection**
- **Automatic warning of loss of valid heading data**
- **Automatic detection of a previously lost heading data type without requiring a reset**
- **Prioritisation of heading type**
- **Local and Remote Dimming Control**
- **Rugged, Marinised Aluminium Construction**

## CERTIFICATIONS



GL Type Approved

## OVERVIEW

The MD77HR is a NMEA-based Compact Heading Repeater. Digital heading data (ship's heading) may be conveniently displayed and monitored at any location on a vessel.

When multiple heading sources are available in the heading data (e.g. True and Magnetic) the MD77HR allows the user to select the heading source and indicates which heading source is in current use.

Compact and rugged, the MD77HR offers a heading repeater solution for locations where the available space is limited and may be either bulkhead or panel mounted. Finished in jet black to complement other marine navigation equipment.

The MD77HR from Marine Data: flexible in application, easy to install and simple to maintain.

## APPLICATIONS

- The MD77HR displays True or Magnetic Heading Data transmitted from marine equipment compatible with NMEA 0183 (IEC 61162-1) (Gyro compass, TMC, EMC, GPS Compass etc.)

## ACCESSORIES

- Panel Mounting Kit (Supplied)
- Bulkhead Bracket Mounting Kit
- Remote Dimmer Control (0-24 V dc)

## RELATED PRODUCTS

- The complete range of Marine Data [Heading Repeaters](#)
- Transmitting Heading Device (THD) Systems ([TMC](#) and [EMC](#))

## PHYSICAL

<b>Weight:</b>	1.25 kg (with bulkhead mounting bracket)
<b>Dimensions:</b>	H 166mm; W 200 mm; D 81mm; Fascia 144 x 144 mm; Dial Ø 118 mm
<b>Mounting:</b>	Panel or optional Bulkhead mounted
<b>Connections:</b>	1x data cable to 15-pin D-sub plug
<b>Construction:</b>	Aluminium alloy enclosure
<b>Finish:</b>	RAL9005 Jet Black; fine texture

## ELECTRICAL

<b>Power Supply:</b>	24 V dc 4 W nominal (18-32 V dc)
<b>Data Input:</b>	Digital RS422
<b>Data Protocol:</b>	NMEA 0183 protocol 4800 / 9600 / 19200 / 38000 Baud (auto-sensing)
<b>Data Sentences:</b>	THS, HDT, HDG and HDM; detected on start-up in descending order of priority
<b>Cable:</b>	2.5 m multicore data cable

## OPERATIONAL

<b>Performance:</b>	± 0.5° accuracy
<b>Follow Up Rate:</b>	>20° per second
<b>Dial Illumination:</b>	LED array with local and remote dimming control. Red tint
<b>Dial Resolution:</b>	Scale marked at 1°, 5°, 10° & 45°
<b>Display:</b>	Rotating compass card dial display
<b>Alarm:</b>	Power supply failure: Audible and visible indications
<b>Error Indication:</b>	Dial oscillates ±35° about the last known good heading. Dial illumination flashes
<b>Heading Type:</b>	LED indicator for heading source type: Gyro Compass / Magnetic Compass
<b>MTBF:</b>	30,000 hours

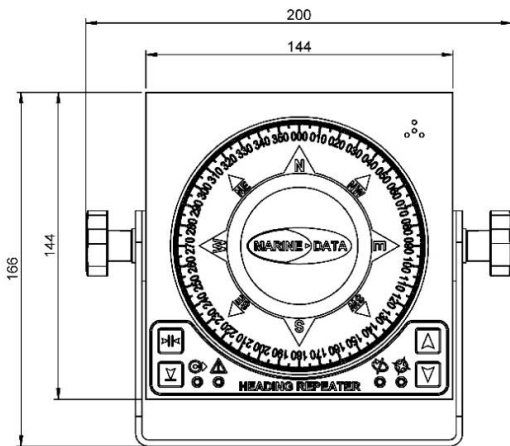
## ENVIRONMENTAL

<b>IP Rating:</b>	IP54
<b>Operating Temp:</b>	-15°C to +55°C
<b>RoHS:</b>	Compliant
<b>Compass:</b>	Safe Distance 100 cm

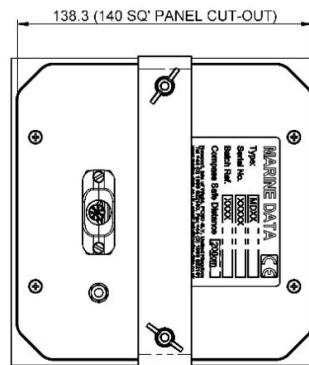
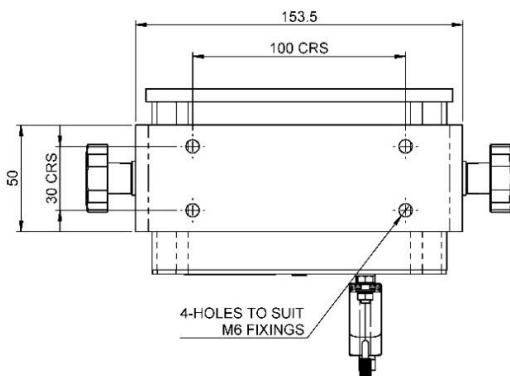
## APPROVALS

<b>Conforms with:</b>	IEC 60945; IEC 62288; IEC 61162-1 ISO 8728; IMO Resolution A1021 (26)
<b>Type Approval:</b>	Germanischer Lloyd (GL)

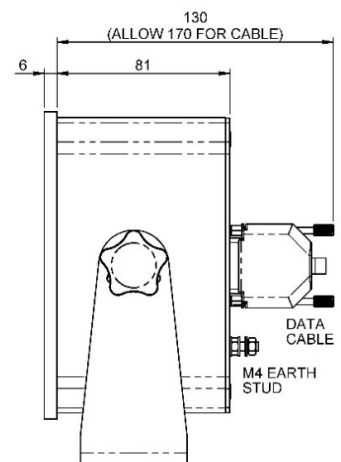
All dimensions in mm



**BULKHEAD MOUNT OPTION**



**PANEL MOUNT OPTION**



Copyright © 2018 Marine Data Systems Ltd. - MD77HR Datasheet v06r01

Vittlefields Technology Centre, Forest Road, Newport, Isle of Wight, United Kingdom. PO304LY  
Marine Data Systems Ltd. reserves the right to make changes to its products and specifications without prior notice.