



## COMPASS &amp; HEADING / RATE OF TURN REPEATERS

# MD77ROT DIAL RATE OF TURN INDICATOR

SKU F077201

[View Online >](#)

## FEATURES

- **Clear and Easily Read Dial Display**
- **Rate of Turn up to 30°/min**
- **Panel or Bulkhead Mounted**
- **Touch Controls**
- **Local and Remote Dimming Control**
- **Automatic Detection of Previously Lost Data**
- **Digital NMEA 0183**

## CERTIFICATIONS



GL Type Approved

## OVERVIEW

The MD77ROT is a NMEA-based Rate of Turn Indicator, displaying the Rate in degrees per minute. Housed in a robust, compact aluminium enclosure with a touch panel for background and pointer illumination, the MD77ROT is ideal for any vessel.

The MD77ROT provides a clear and easy to read 118 mm diameter analogue dial display graduated in 1 degree per minute rate increments. Rate range: Up to 30 degrees per minute to Port and Starboard.

Compact and rugged, the MD77ROT offers a solution for locations where the available space is limited and may be either bulkhead or panel mounted. Finished in jet black to complement other marine navigation equipment.

The MD77ROT from Marine Data: flexible in application, easy to install and simple to maintain.

## APPLICATIONS

- To display Rate of Turn (ROT) data transmitted from NMEA 0183 compatible marine equipment at a convenient location

## ACCESSORIES

- Panel Mounting Kit (Supplied)
- Bulkhead Bracket Mounting Kit
- Remote Dimmer Control (0-24 V dc)

## RELATED PRODUCTS

- [MD68ROT](#) - Rate of Turn Indicator (Dial Ø 164 mm)
- [MD67ROT](#) - Weatherproof Rate of Turn Indicator (Dial Ø 118 mm)
- [MD77ROT120](#) - Rate of Turn Indicator (Dial Ø 118mm; 0-120°/min)

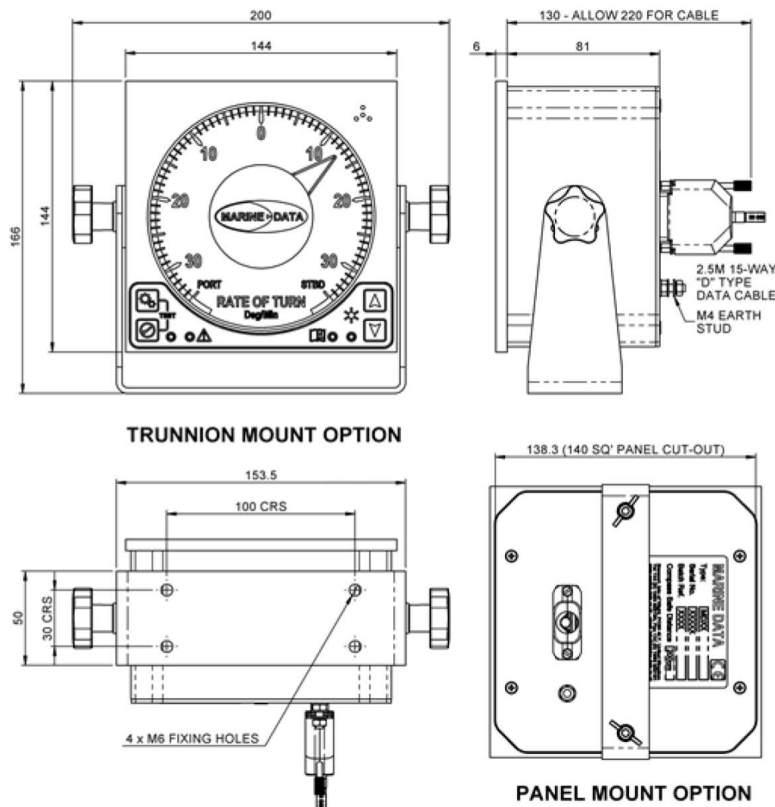
PHYSICAL	
<b>Weight:</b>	1.25 kg (on bracket)
<b>Dimensions:</b>	H 166 mm; W 200 mm; D 87 mm (on bracket) Fascia 144 x 144 mm; dial Ø 118 mm 140 mm square panel cut out
<b>Mounting:</b>	Panel or optional Bulkhead mounted
<b>Connections:</b>	1 x data cable to 15-pin D-sub plug; M4 earth stud
<b>Construction:</b>	Aluminium alloy enclosure, Polycarbonate face
<b>Finish:</b>	RAL9005 Jet Black; fine texture

ELECTRICAL	
<b>Power Supply:</b>	24 V dc (18-32 V); 6 W
<b>Data Input:</b>	Digital RS422; NMEA 0183; 4800 / 9600 / 19200 / 38000 Baud; auto-selecting
<b>Data Sentence:</b>	ROT (\$-ROT,x.x,A*hh<CR><LF>
<b>Output:</b>	External Alarm Loop (optional)
<b>Cable:</b>	Supplied with 2.5 m multi-core data cable

OPERATIONAL	
<b>Performance:</b>	±0.5°/min accuracy; Alignment rate in excess of 40° per second
<b>Dial Illumination:</b>	Backlit white
<b>Display:</b>	Rate of Turn; range 0-30°/min; scale graduated in 1° per minute rate increments; full scale deflection 35°/min
<b>LED Indicators:</b>	Alarm Fault Indication = Red (RD); Set-up Mode = Blue (BU)
<b>Error Indication:</b>	Loss of Valid Data: Pointer assumes a vertical downward position and illumination flashes (alert condition)

ENVIRONMENTAL	
<b>IP rating:</b>	IP54
<b>Operating temp:</b>	-15°C to +55°C
<b>Storage temp:</b>	-25°C to +70°C
<b>RoHS:</b>	Compliant
<b>Compass:</b>	Safe Distance 100 cm

APPROVALS	
<b>Conforms with:</b>	IEC60945; IEC61162-1
<b>Type Approval:</b>	Germanischer Lloyd (GL)



All dimensions in mm



Copyright © 2018 Marine Data Systems Ltd. - MD77ROT Datasheet v06r01

Vittlefields Technology Centre, Forest Road, Newport, Isle of Wight, United Kingdom. PO304LY  
Marine Data Systems Ltd. reserves the right to make changes to its products and specifications without prior notice.