



## TRANSPONDERS

# CSA300 CLASS A AIS TRANSPONDER

SKU: 001-1015

[View Online >](#)

## FEATURES

- **Industry Grade Dual Channel AIS Transponder**
- **For Commercial and Large Leisure Vessels**
- **Easy configuration and set-up menu**
- **Simple access to data and menus with rotary control**
- **Compact single unit design**
- **Target plot and list of other vessels in range**
- **Internal 16 Channel GPS receiver**

## OVERVIEW

The CSA300 is a compact, state of the art Class 'A' Transponder. The transponder and the high contrast monochrome display are both contained in a single robust enclosure.

Connected to an external VHF antenna and its GPS antenna the CSA300 transmits its own position and vessel data, as well as receiving information from other AIS transponders. Designed and IMO approved to meet the requirements of large commercial vessels it is equally suitable for smaller commercial, fishing and leisure craft.

Interfaces are available via an external remote junction box for connection to electronic chart displays, radar, and other AIS displays.

## APPLICATIONS

- Commercial and Large Leisure Vessels
- Automatic transmission of vessels own position, speed and heading to other vessels within VHF range
- A method of monitoring the position, speed and heading of other AIS vessels within VHF range
- The ability to plot the progress, changes in heading and speed of other AIS vessels on a Chart Plotter, Radar or PC program
- Reception and transmission of Text and Safety related messages

## RELATED PRODUCTS

[AV200](#) - Base Station Antenna with Ground Plane

[AV300](#) - Fibreglass VHF Antenna

[AV400](#) - Commercial Antenna for AIS

| PHYSICAL                                      |                                |
|---|--------------------------------|
| <b>Weight:</b>                                | 1.6 kg                         |
| <b>Dimensions:</b>                            | 195(W) x 105(H) x 157(D) mm    |
| <b>Mounting:</b>                              | Trunnion bracket               |
| <b>VHF Connector:</b>                         | Antenna: SO-239 (UHF)          |
| <b>GPS Connector:</b>                         | Antenna: TNC                   |
| <b>RS232 Connector:</b>                       | Data: 9 way D type             |
| <b>IEC61162 interfaces &amp; alarm relay:</b> | Via 50 way D-type junction box |
| <b>Power connector:</b>                       | LTWBB-04PMMS-LC7001            |

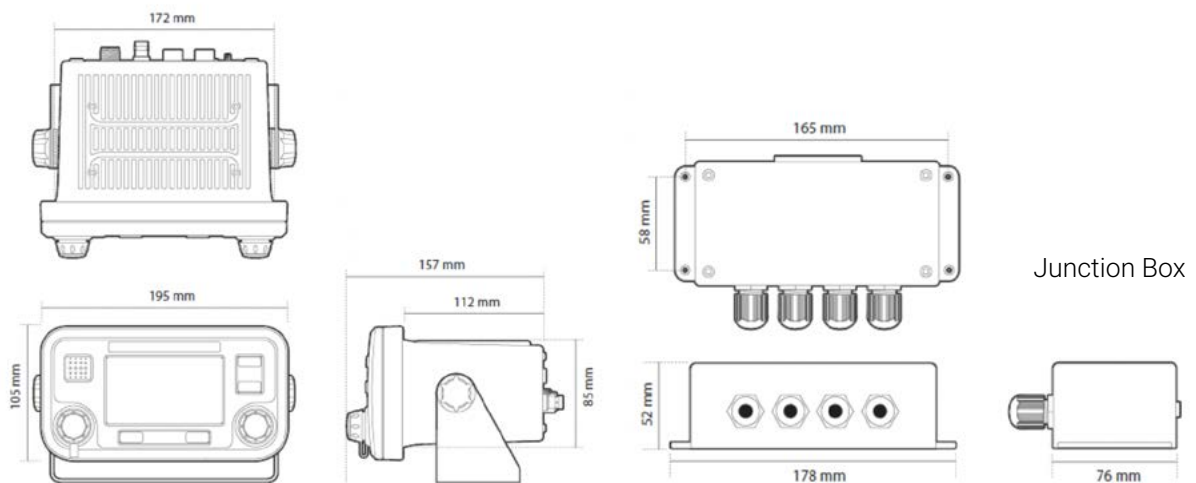
| ELECTRICAL                |  |
|---------------------------|--|
| <b>Operating Voltage:</b> | 12 – 24 V dc                             |
| <b>Power Consumption:</b> | 10 watts average, 4.75 A peak at 12 V dc |

| OPERATIONAL                 |  |
|-----------------------------|--|
| <b>NMEA 0183 Interface:</b> | 38400 Baud bi-directional              |
| <b>RS232 Interface:</b>     | 38400 Baud bi-directional              |
| <b>Transmitter:</b>         | Single                                 |
| <b>Receivers:</b>           | Three (two AIS and one DSC channel 70) |
| <b>Frequency Range:</b>     | 156.025 MHz – 162.025 MHz              |
| <b>Channel Bandwidth:</b>   | 25 KHz                                 |
| <b>Power Output:</b>        | 41dBm +/- 1.5dB                        |
| <b>Modulation:</b>          | 25KHz GMSK / 25KHz AFSK                |
| <b>Data Rate:</b>           | 9600 bps GMSK & 1200 bps FSK           |
| <b>RX Sensitivity:</b>      | <-107dBm @ 20% PER                     |

| ENVIRONMENTAL          |                     |
|------------------------|---------------------|
| <b>IP Rating:</b>      | IP52                |
| <b>Operating temp:</b> | -15°C to +55°C      |
| <b>Compass:</b>        | Safe Distance 30 cm |

| APPROVALS         |  |
|-------------------|--|
| <b>Compliant:</b> | FCC, USCG, Type EU, CE, RoHs   |
| <b>Standards:</b> | IEC60945 Edn. 4.0 Environmental requirements<br>IEC61993-2 Class A Shipborne equipment<br>IEC61162-1/2 Edn.2.0 Digital interfaces<br>EC61108-1 GPS Receiver equipment<br>ITU-RM.1371-3 Universal AIS Technical Characteristics |

| ADDITIONAL       |                              |
|------------------|------------------------------|
| <b>Supplied:</b> | Main transceiver and display |
| <b>Supplied:</b> | GPS antenna                  |
| <b>Supplied:</b> | Data cable                   |
| <b>Supplied:</b> | Junction box                 |
| <b>Supplied:</b> | Power cable                  |
| <b>Supplied:</b> | Trunnion bracket             |
| <b>Supplied:</b> | Panel mount brackets         |
| <b>Supplied:</b> | Fixing screws                |
| <b>Supplied:</b> | User and installation manual |
| <b>Supplied:</b> | Quick start guide            |
| <b>Supplied:</b> | Support tools CD             |
| <b>Supplied:</b> | Mounting template            |



Copyright © 2018 Comar Systems Ltd. - CSA300 Datasheet v06r01

Vittlefields Technology Centre, Forest Road, Newport, Isle of Wight, United Kingdom. PO304LY  
Comar Systems Ltd. reserves the right to make changes to its products and specifications without prior notice.